

This Page Is Inserted by IFW Operations  
and is not a part of the Official Record

## **BEST AVAILABLE IMAGES**

Defective images within this document are accurate representations of the original documents submitted by the applicant.

Defects in the images may include (but are not limited to):

- BLACK BORDERS
- TEXT CUT OFF AT TOP, BOTTOM OR SIDES
- FADED TEXT
- ILLEGIBLE TEXT
- SKEWED/SLANTED IMAGES
- COLORED PHOTOS
- BLACK OR VERY BLACK AND WHITE DARK PHOTOS
- GRAY SCALE DOCUMENTS

**IMAGES ARE BEST AVAILABLE COPY.**

**As rescanning documents *will not* correct images,  
please do not report the images to the  
Image Problem Mailbox.**

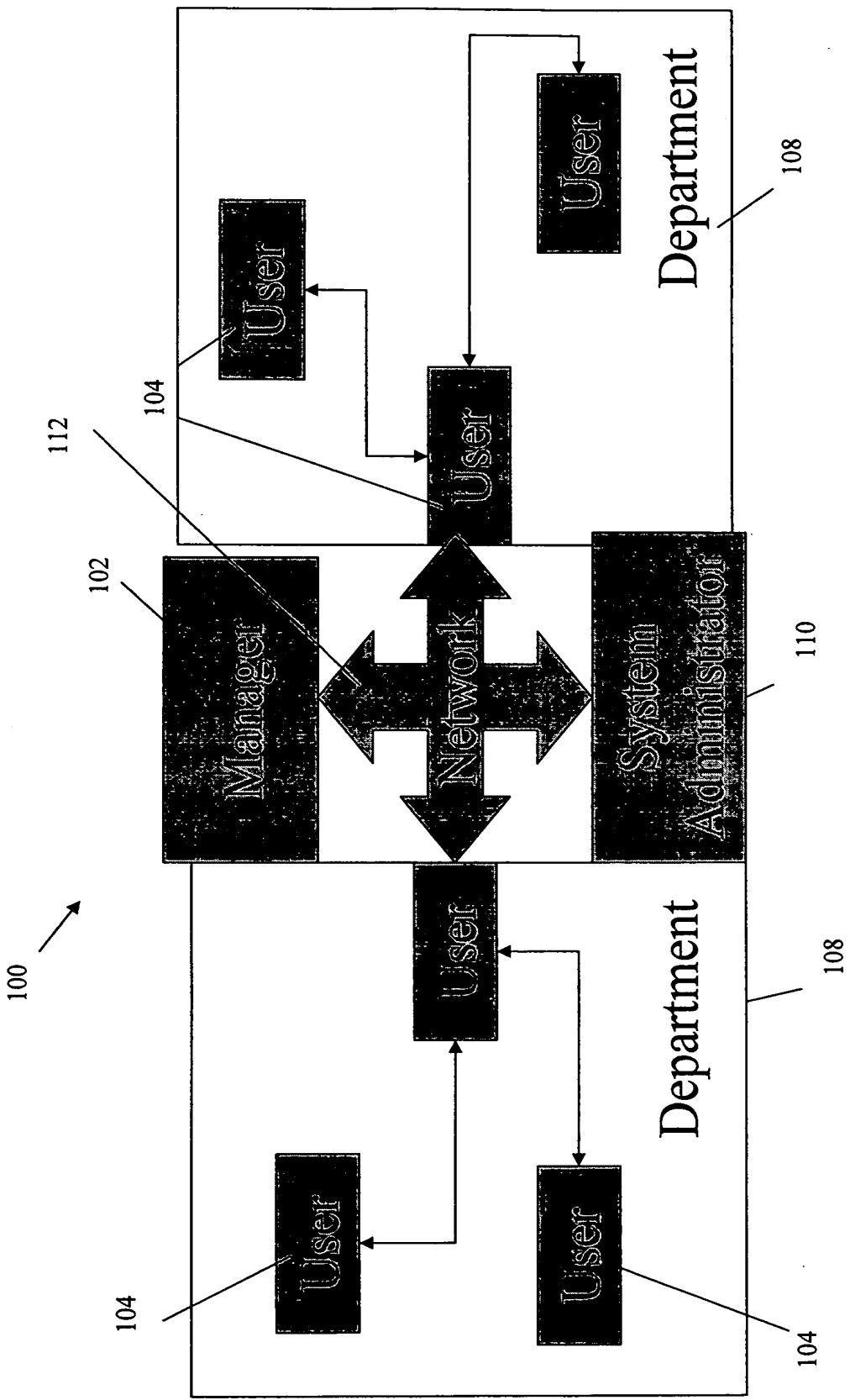


Fig. 1

Fig. 2

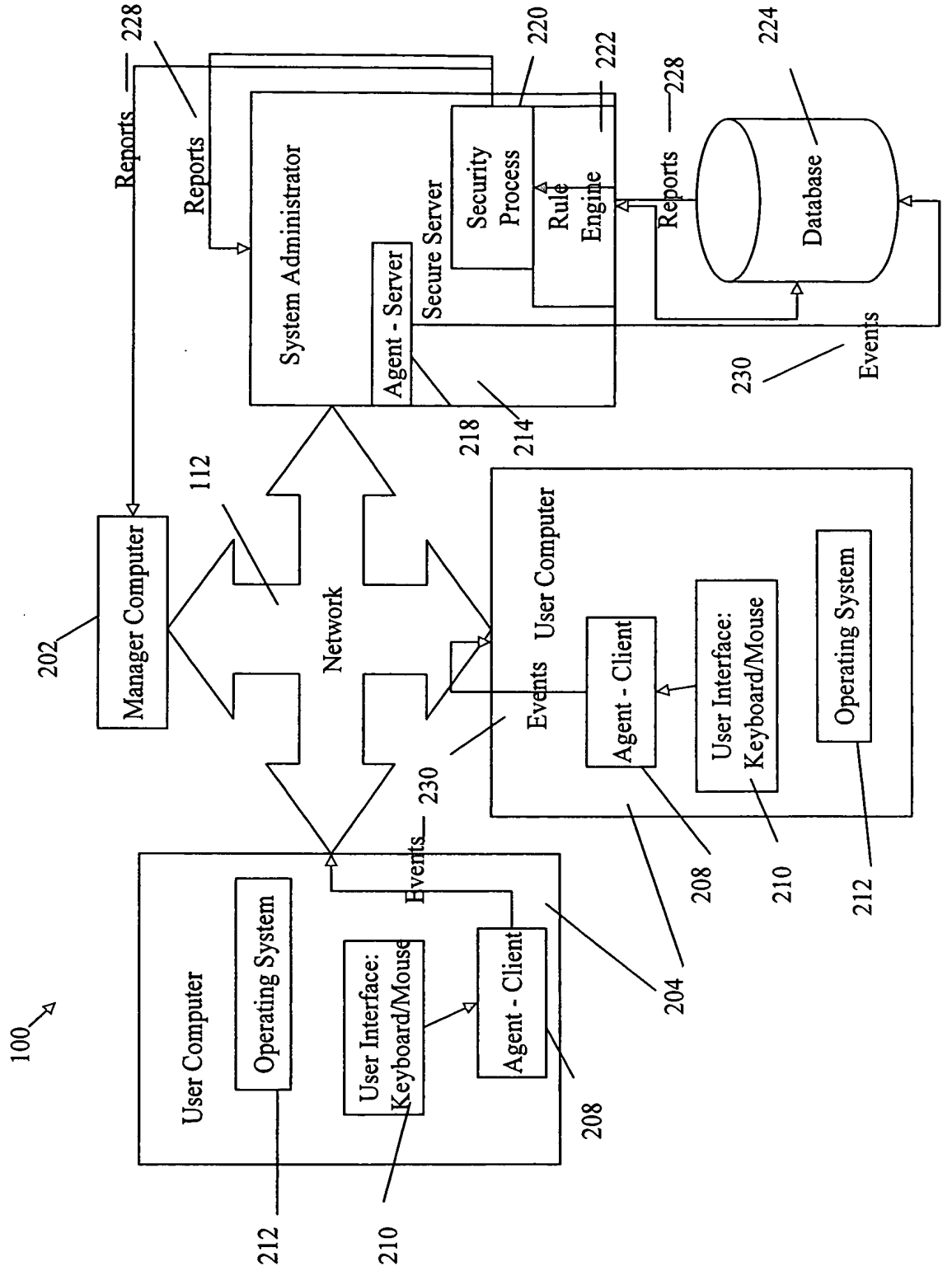
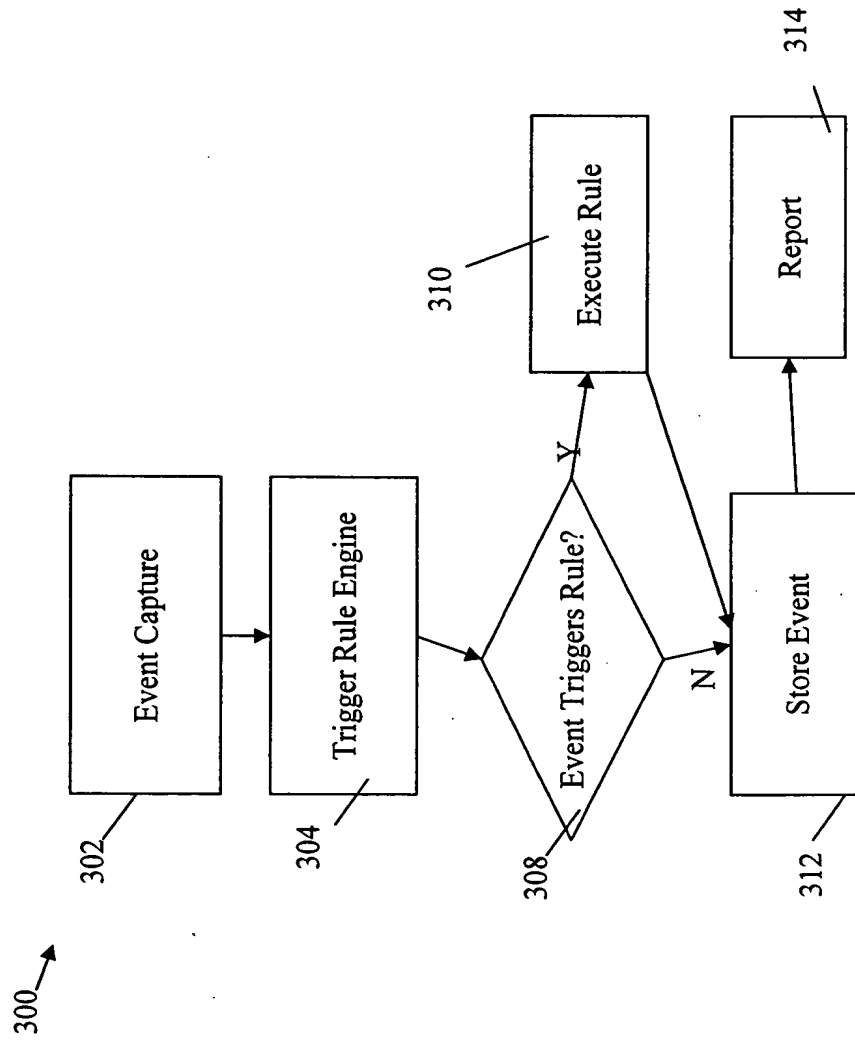


Fig. 3



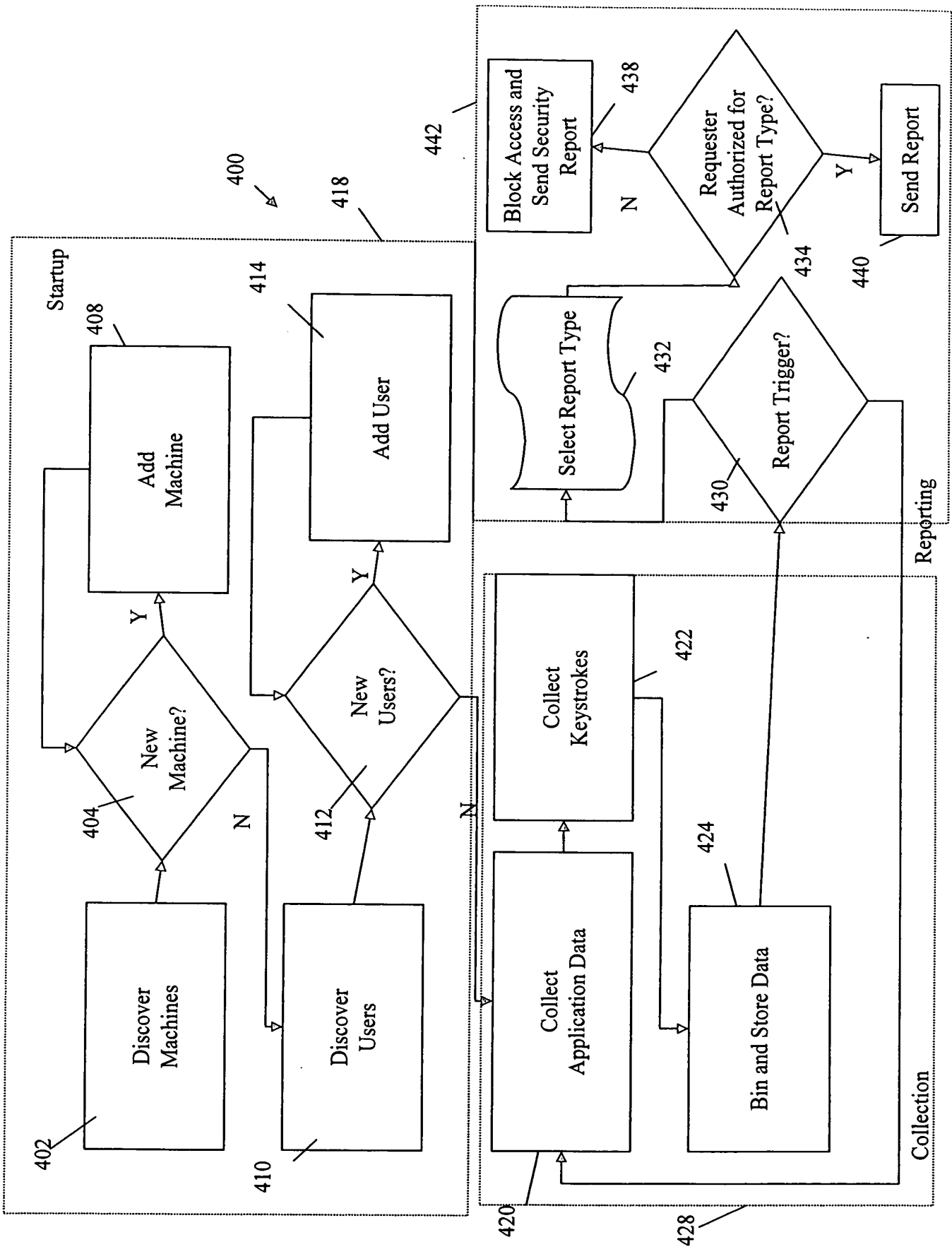


Fig. 4

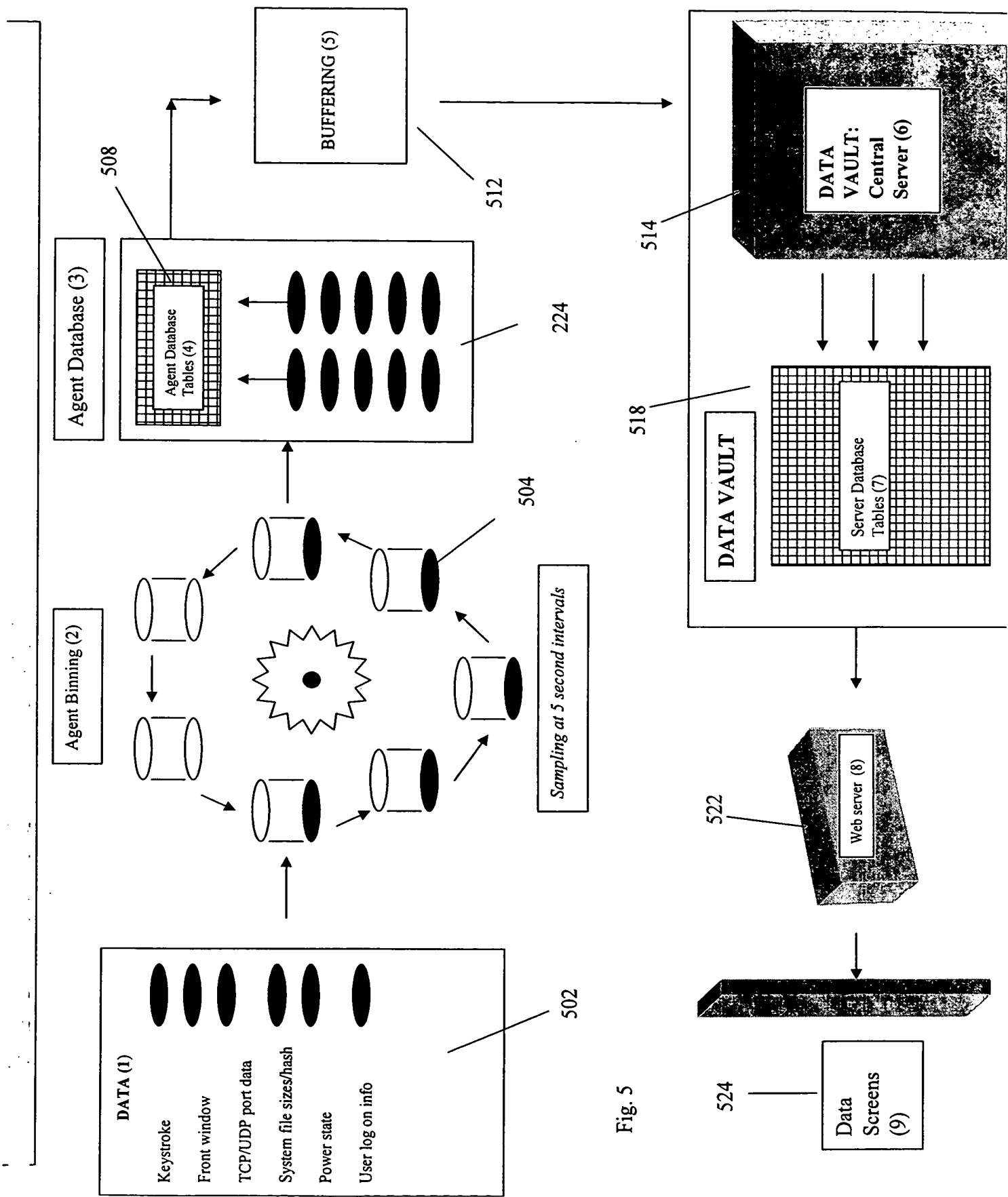


Fig. 5

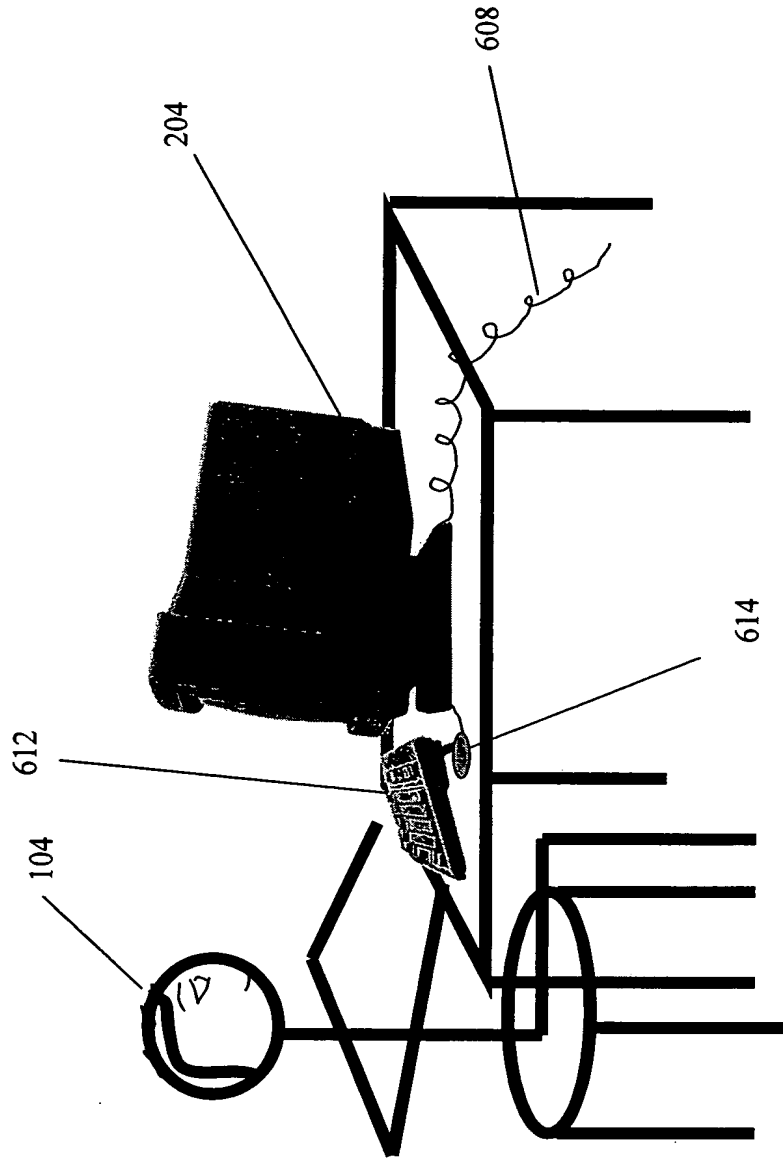


Fig. 6

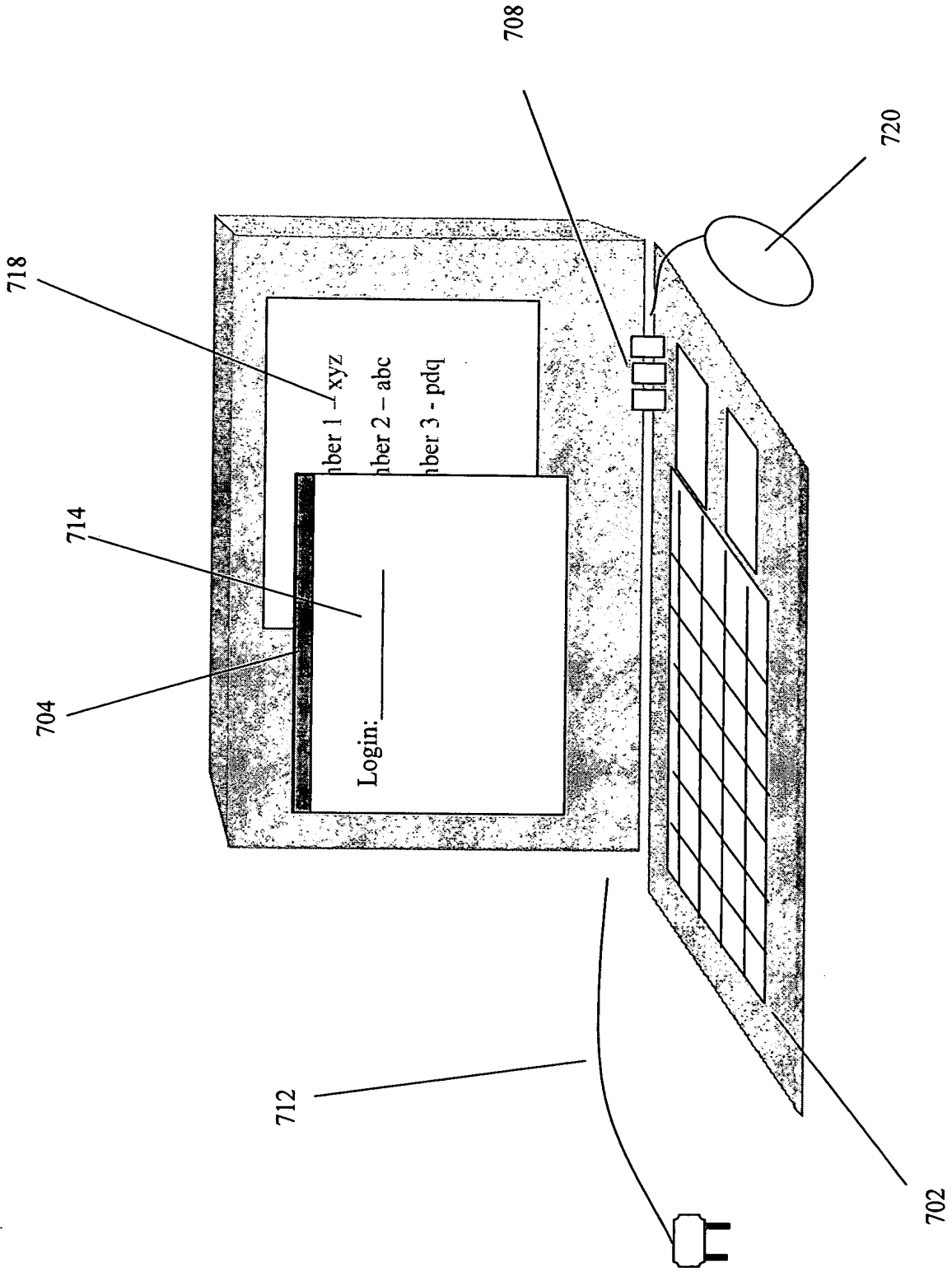


Fig. 7



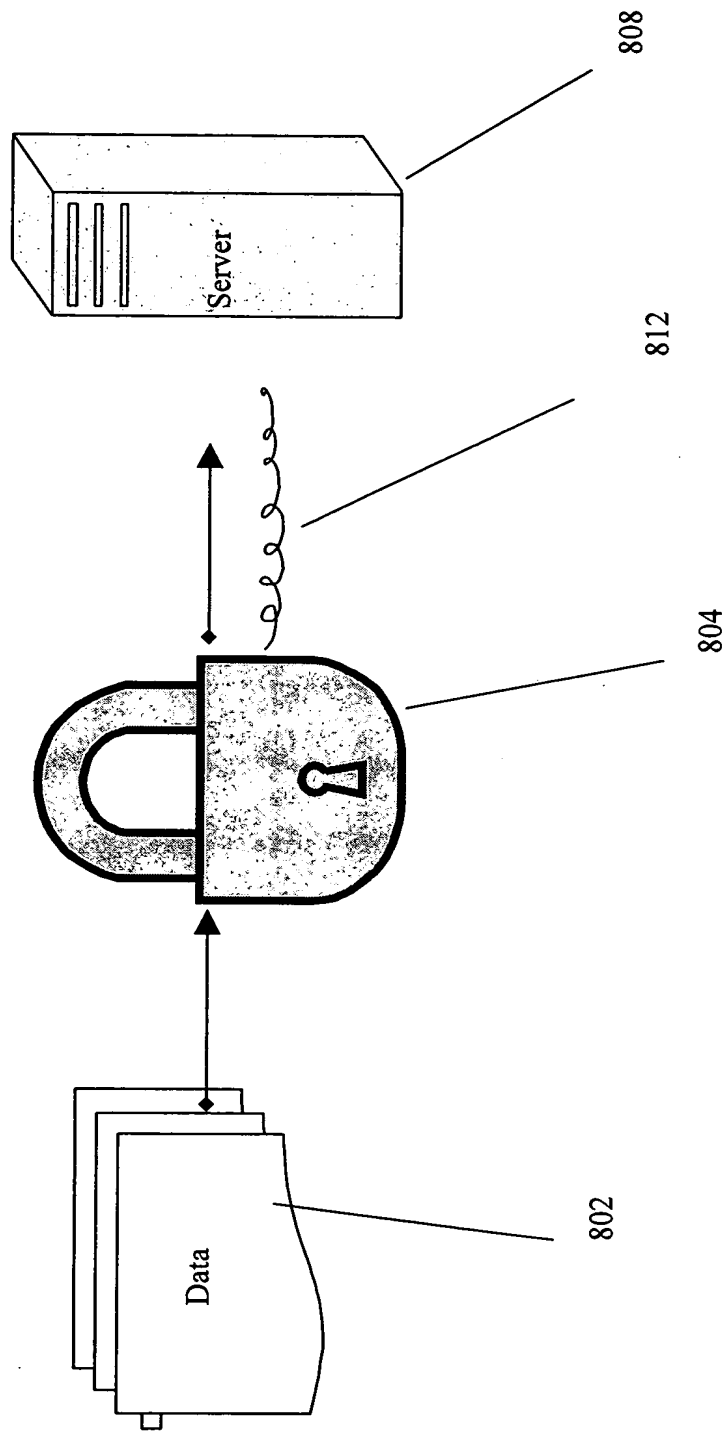


Fig. 8

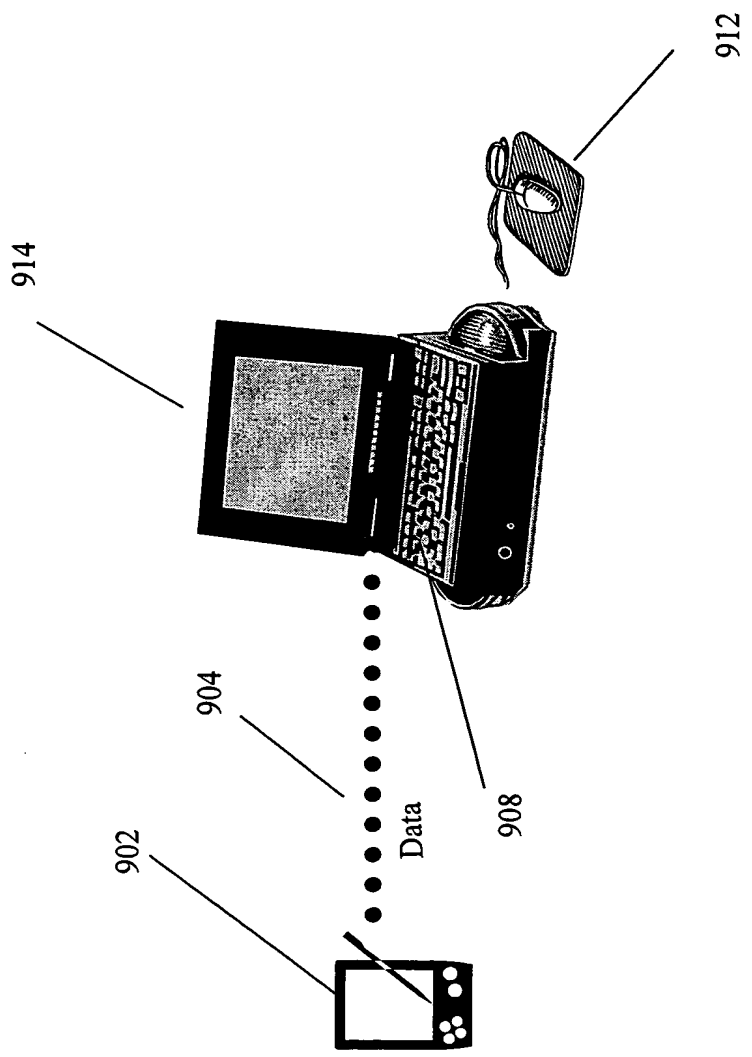


Fig. 9

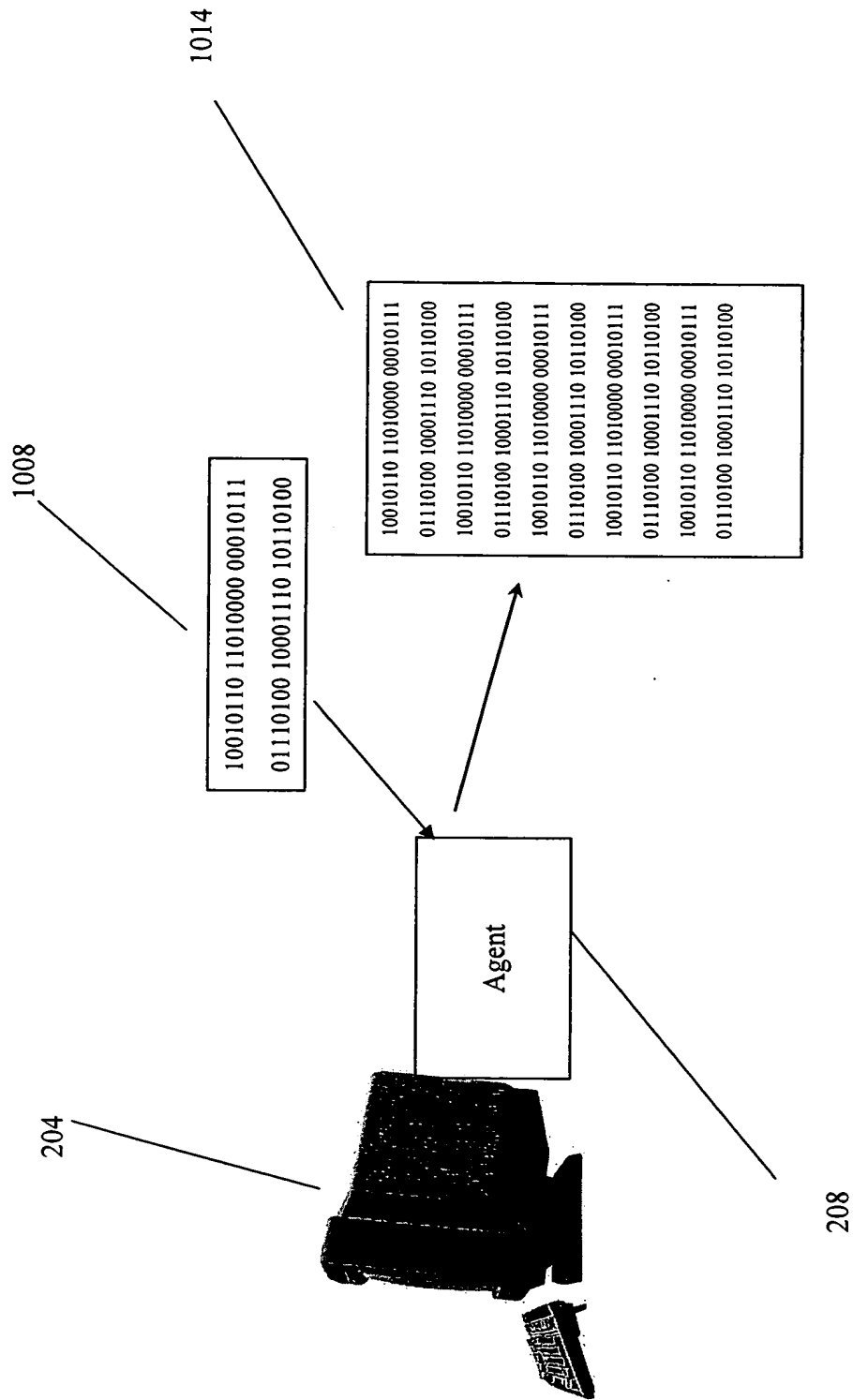


Fig. 10

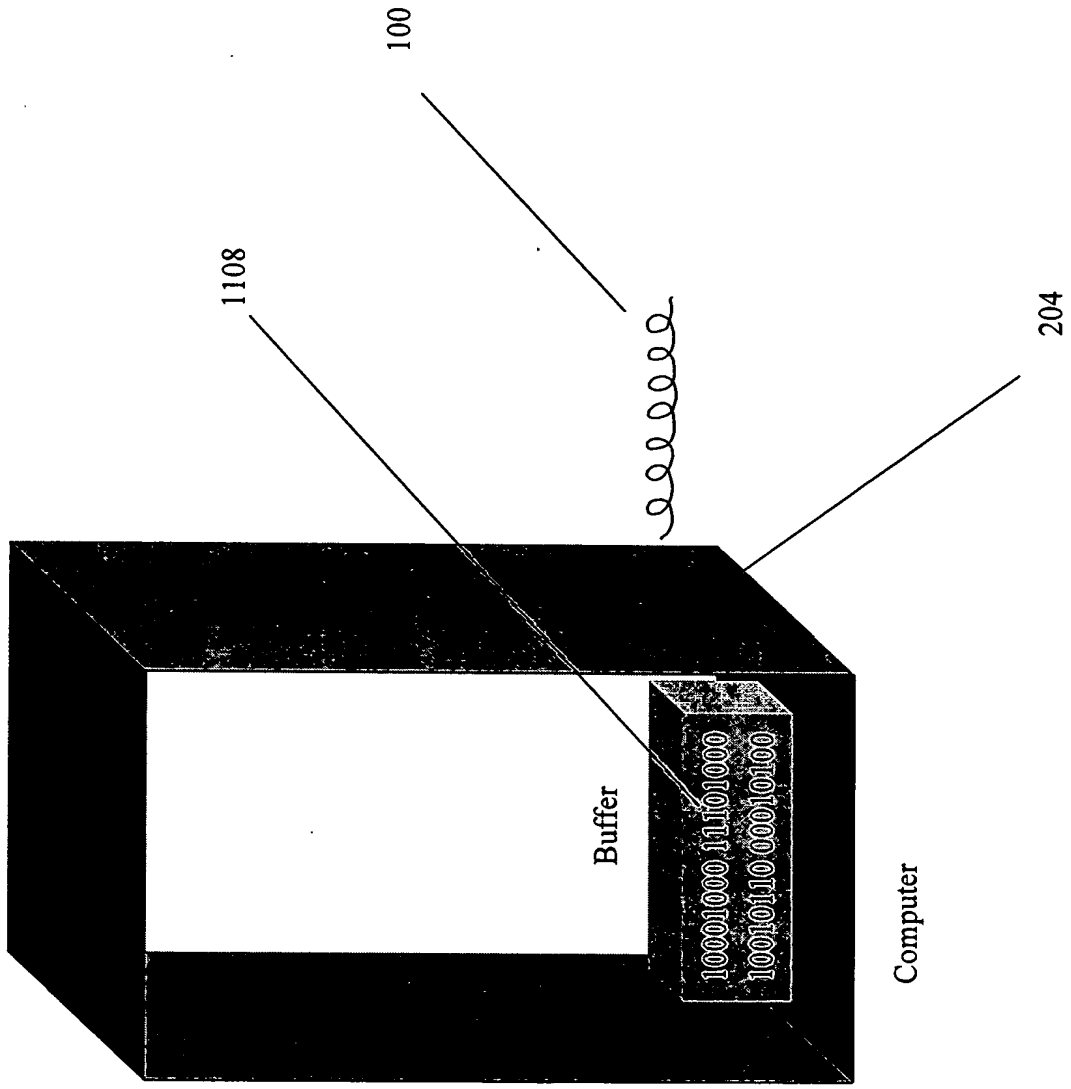


Fig. 11

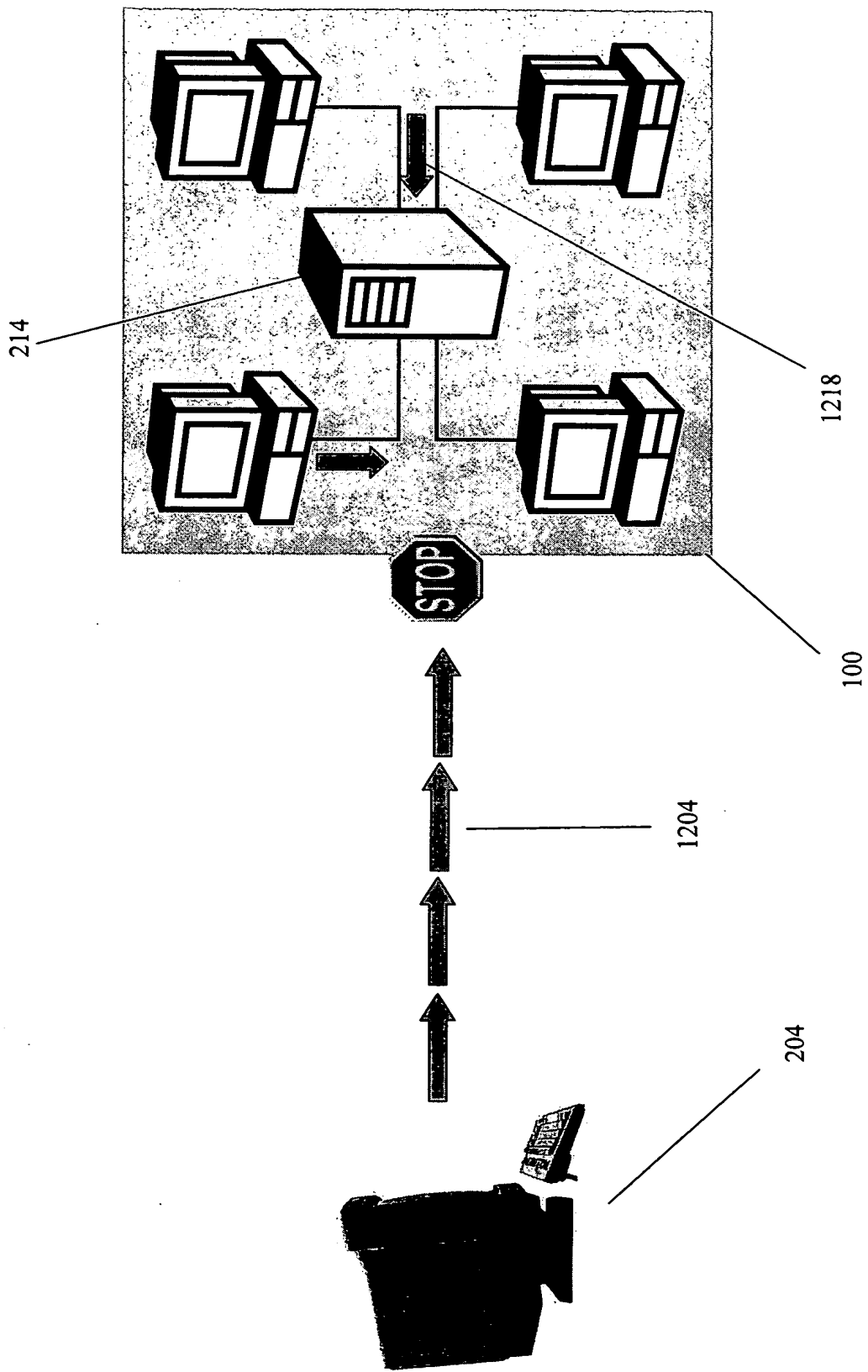


Fig. 12

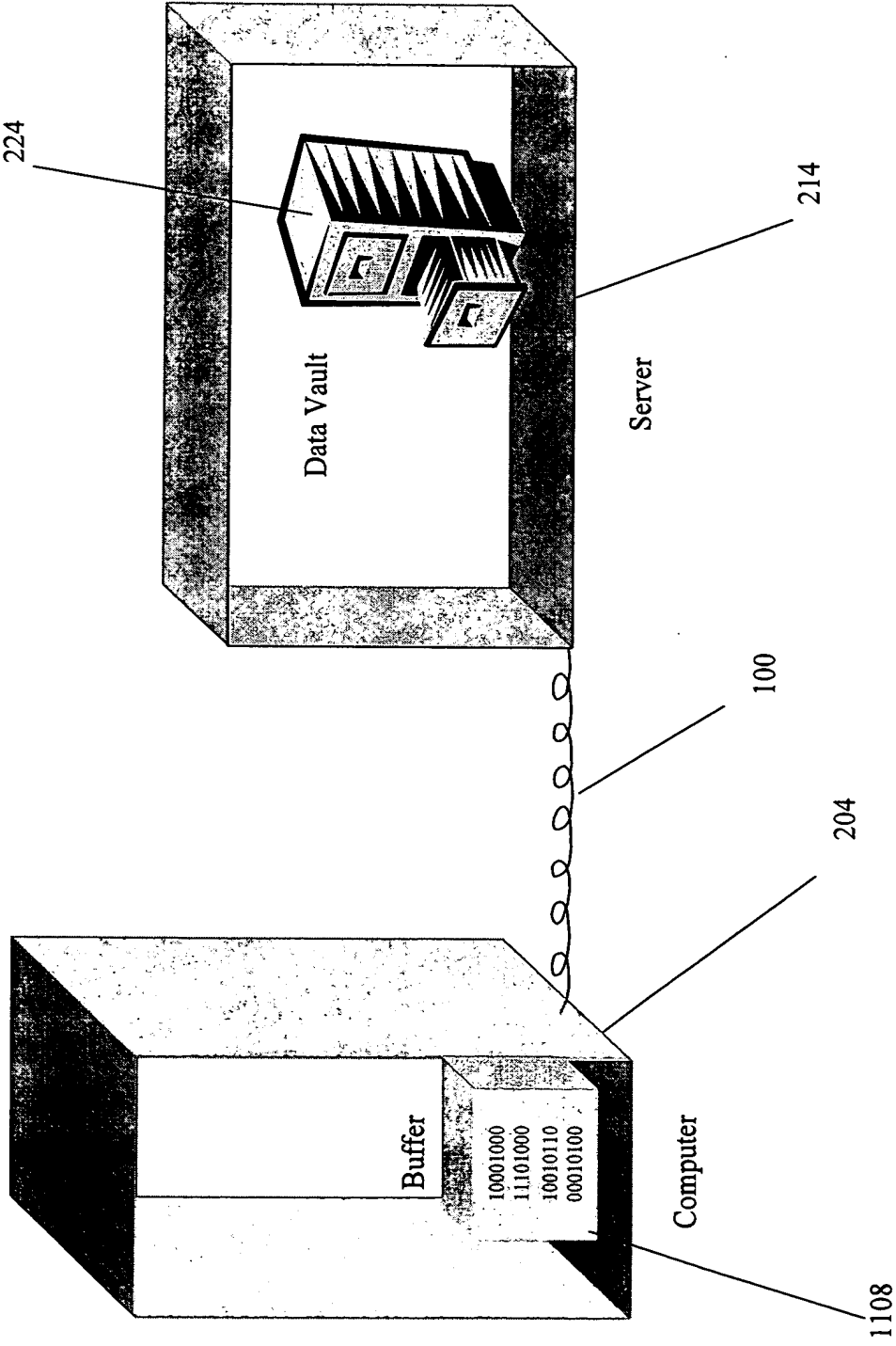


Fig. 13

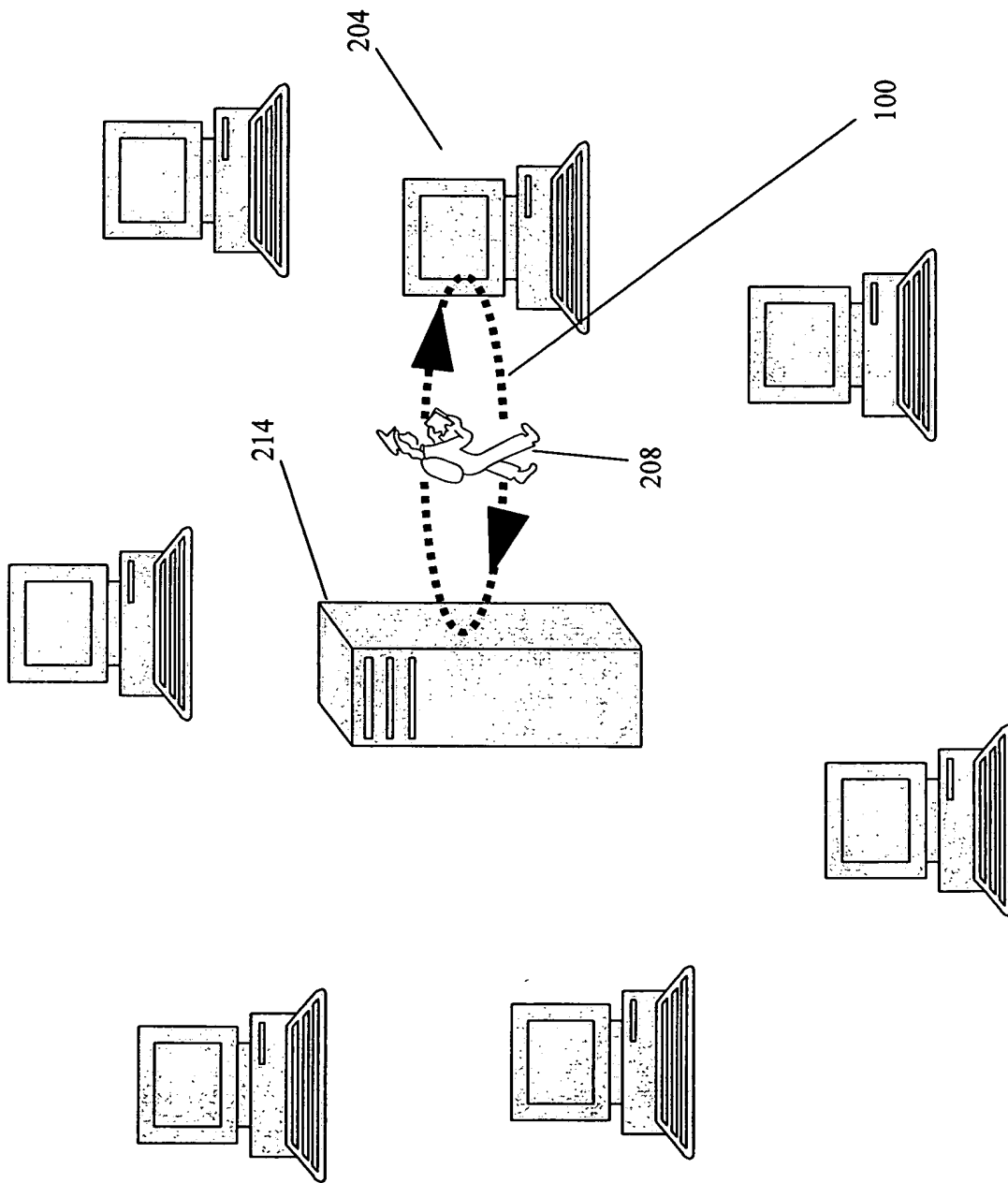


Fig. 14

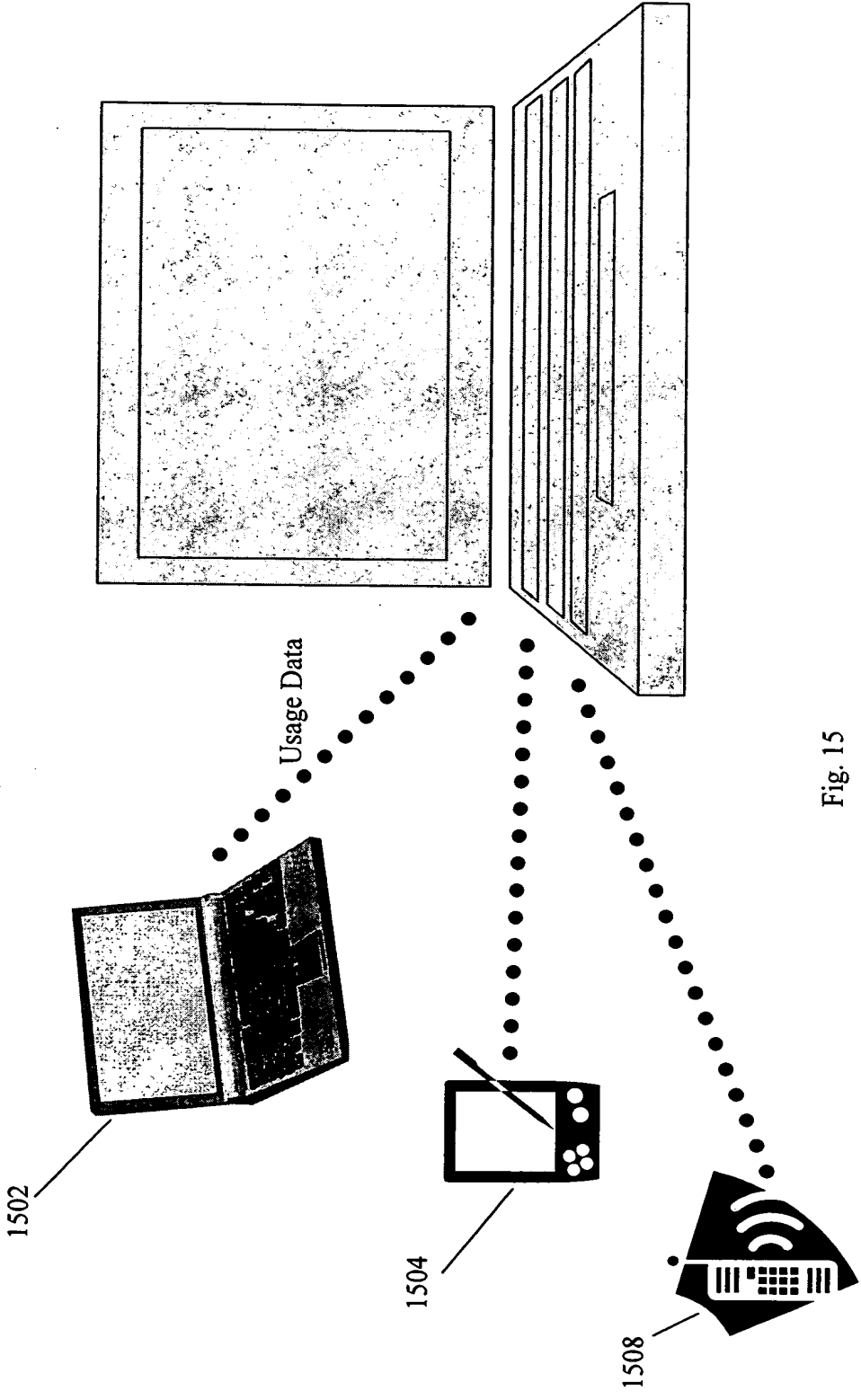


Fig. 15



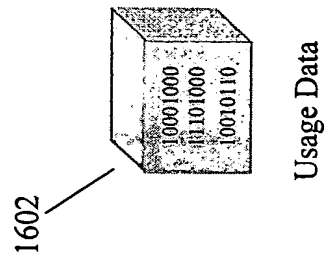
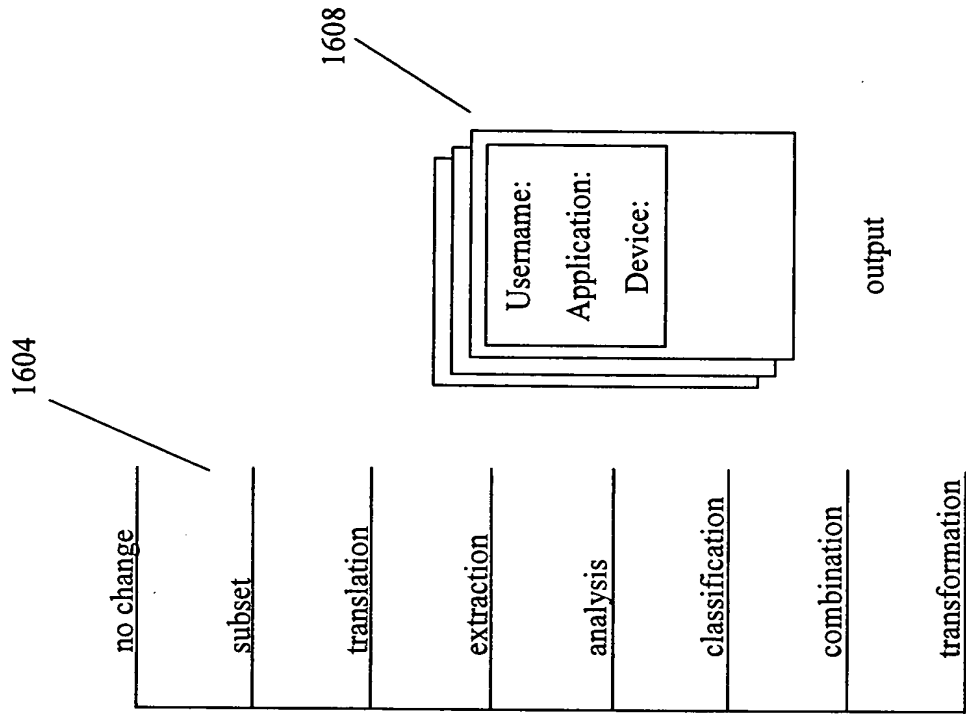


Fig. 16

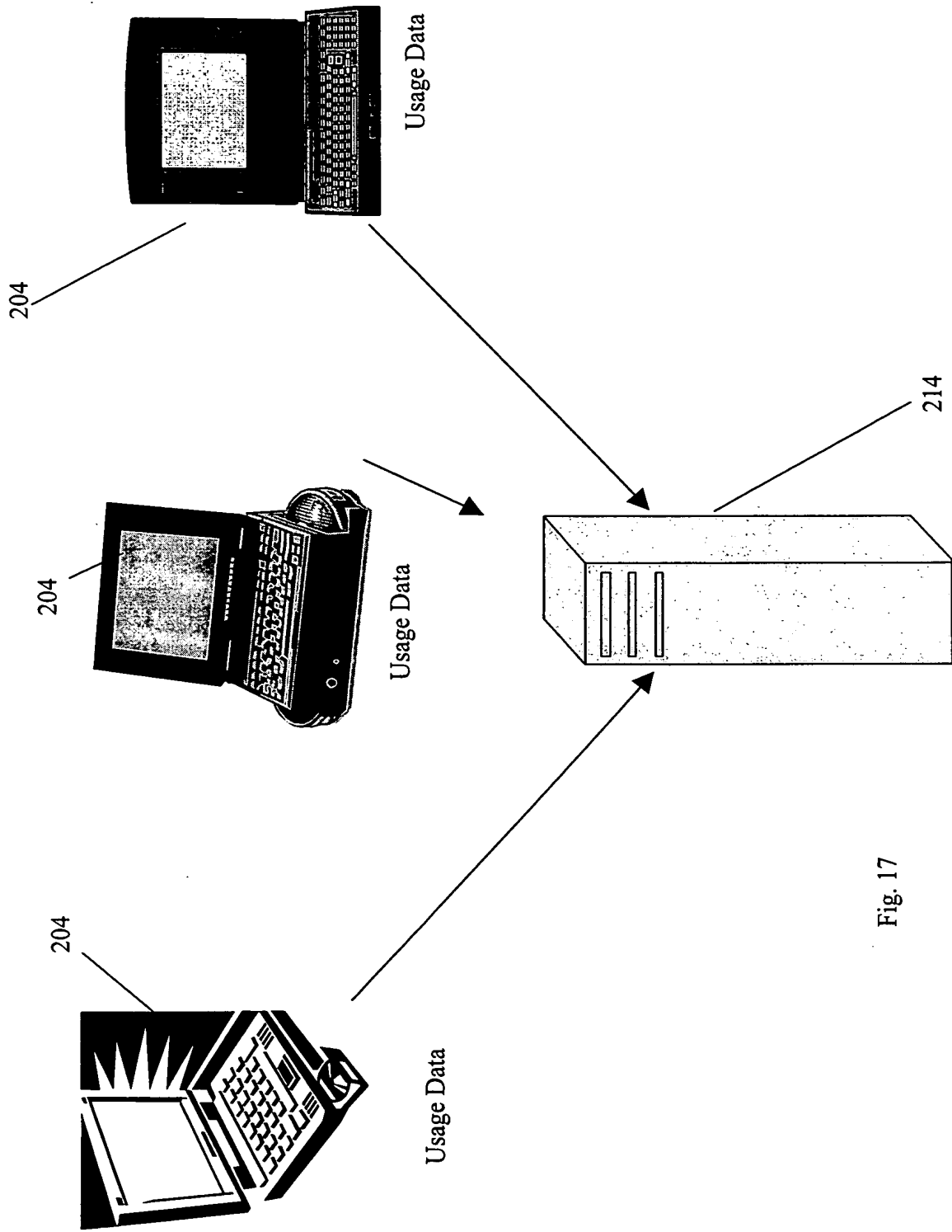


Fig. 17

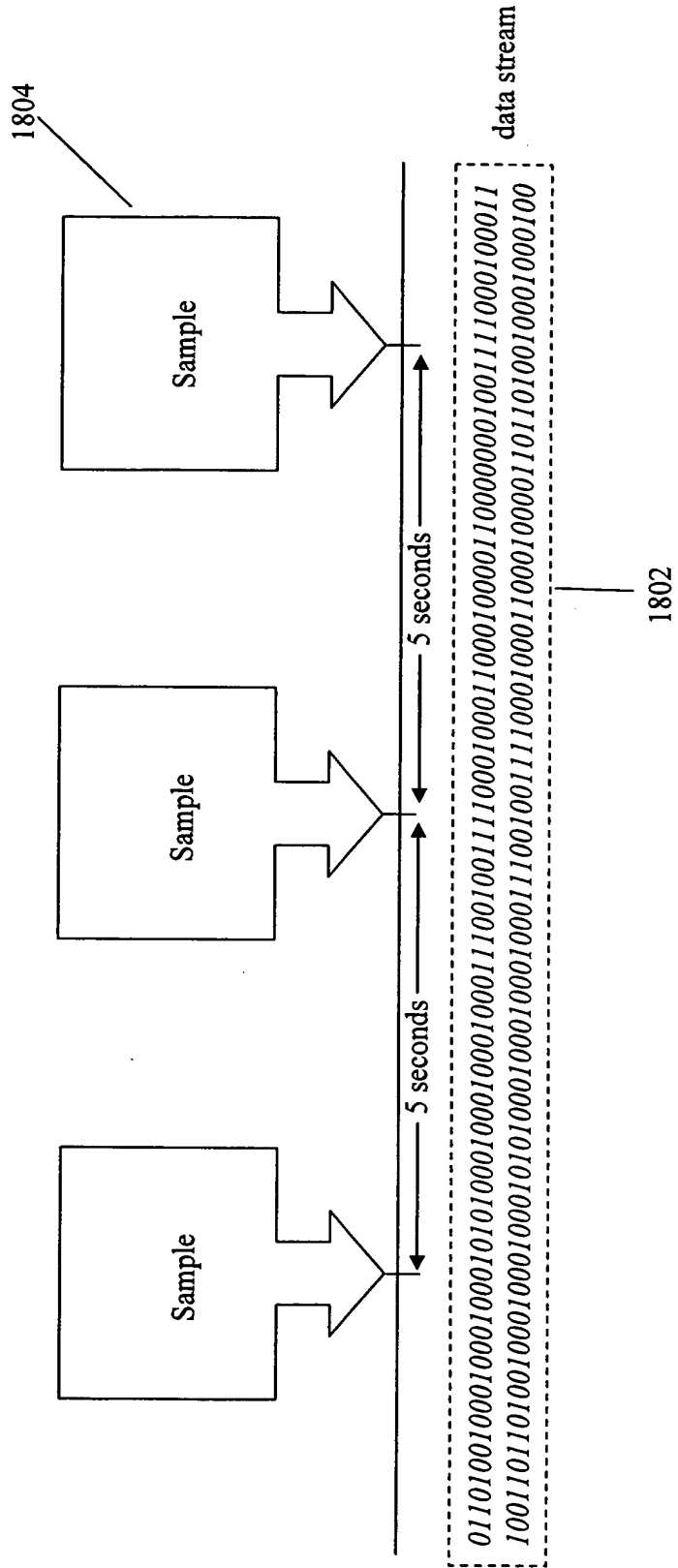


Fig. 18

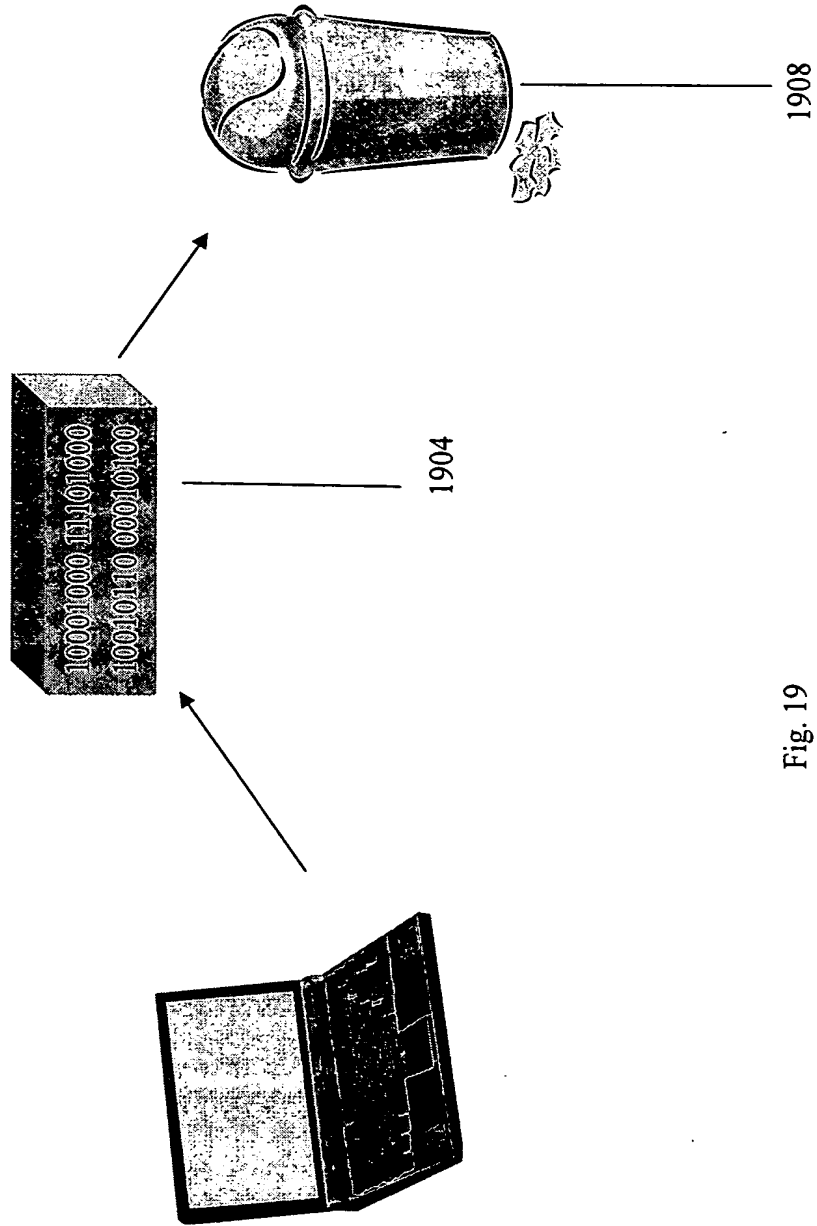


Fig. 19

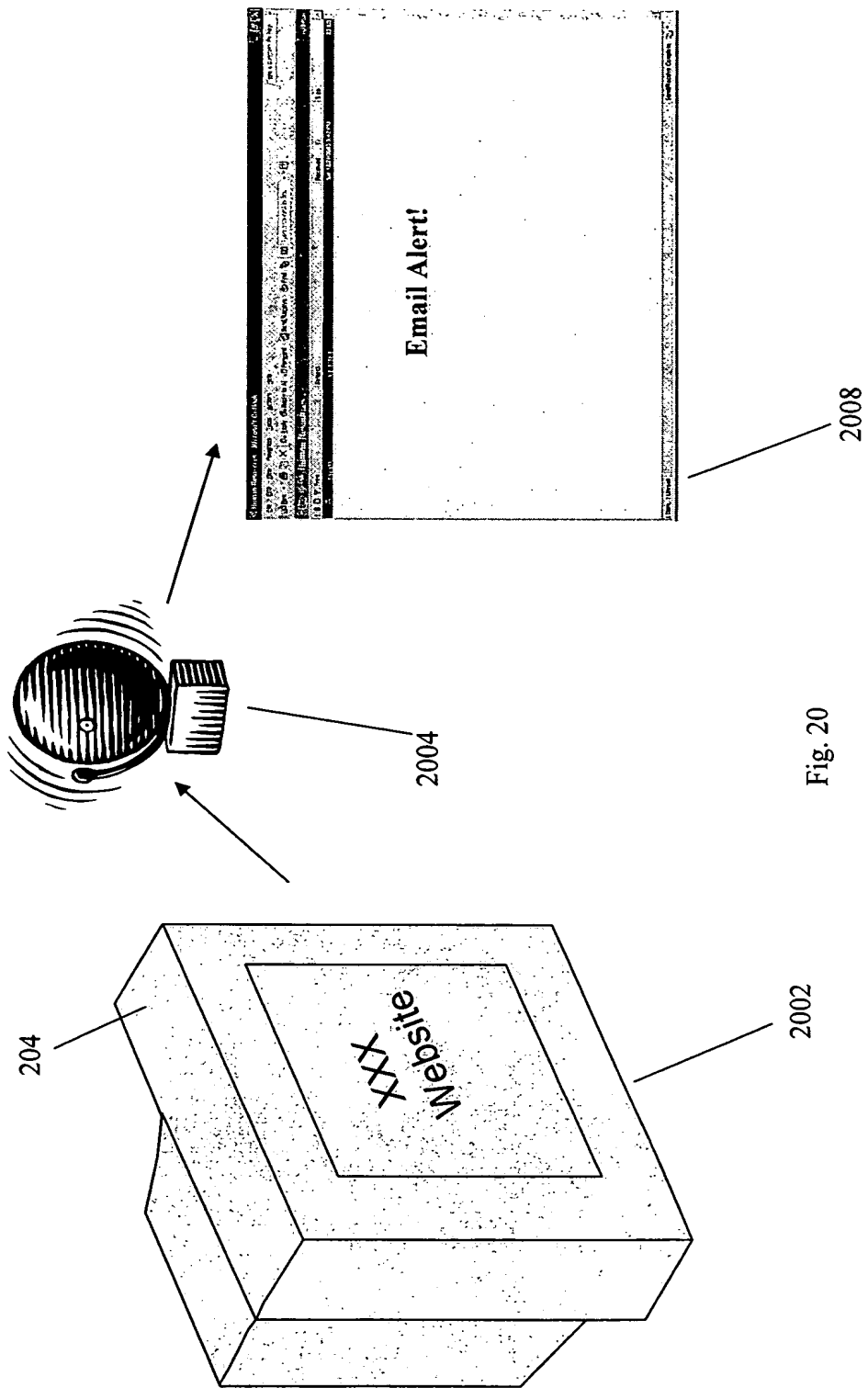


Fig. 20

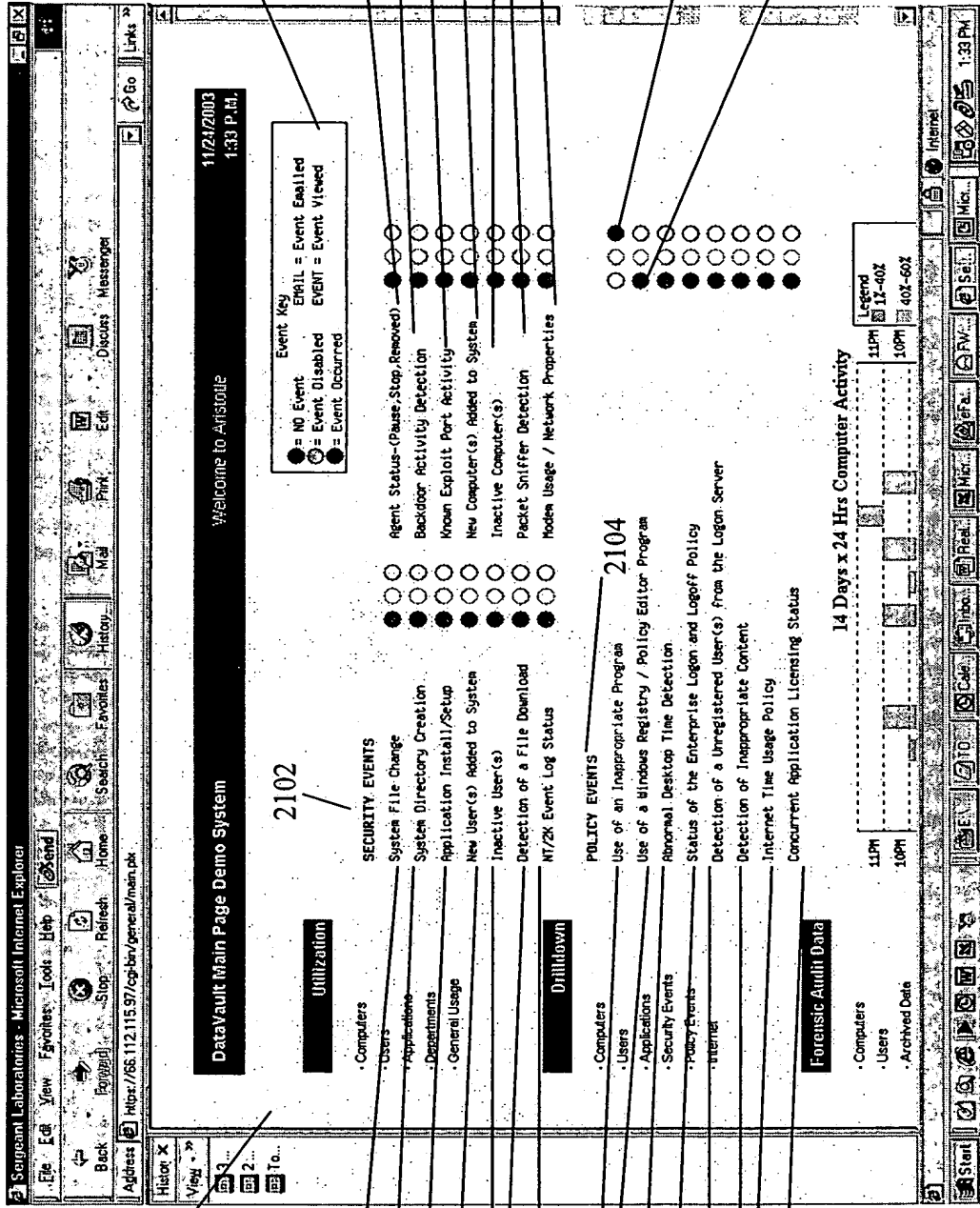


Fig. 21

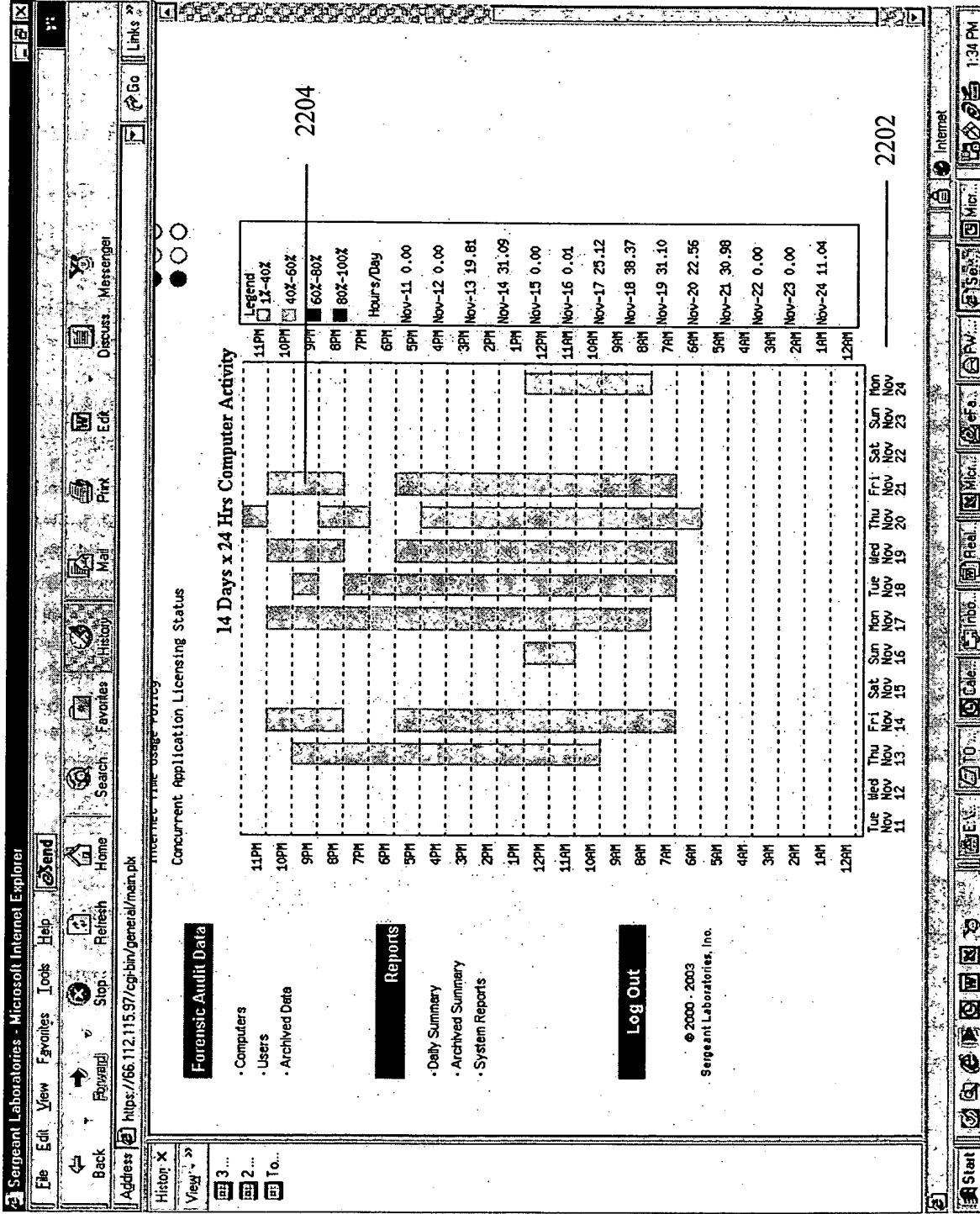
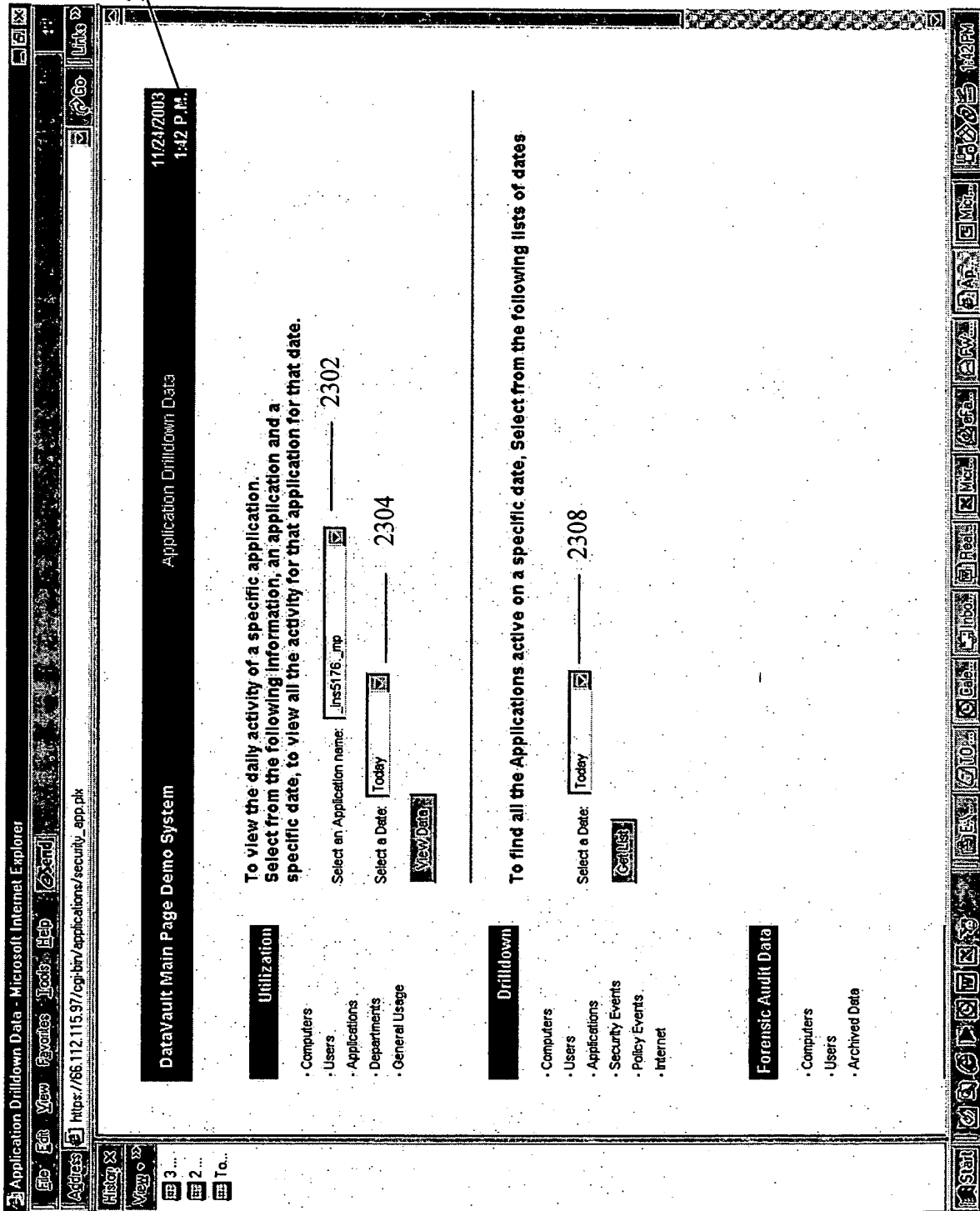


Fig. 22



2300

**Utilization**  
To view the daily activity of a specific application, select from the following information, an application and a specific date, to view all the activity for that application for that date.

Select an Application name:    
Select a Date:

**Drilldown**  
To find all the Applications active on a specific date, select from the following lists of dates.

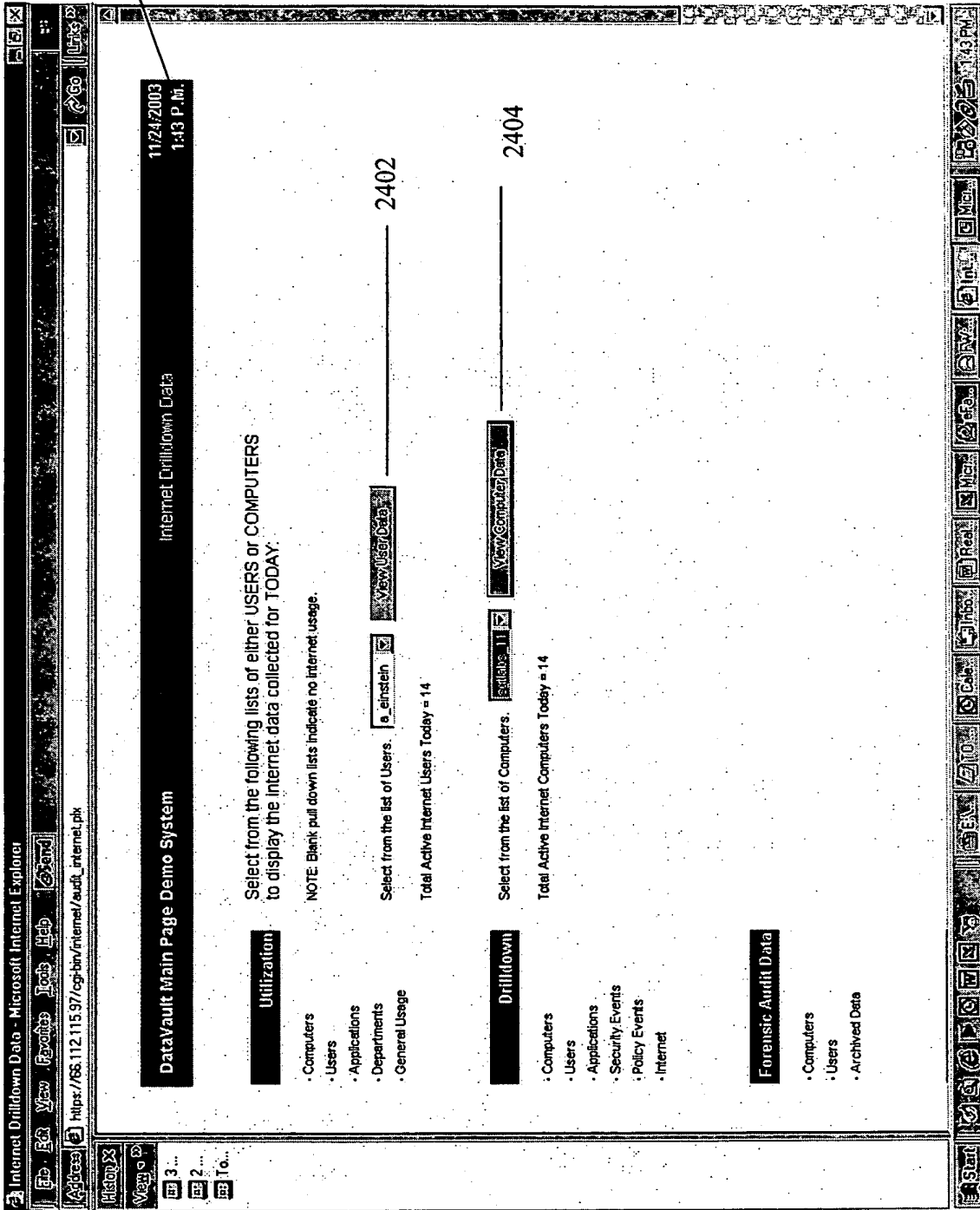
Select a Date:

**Forensic Audit Data**

- Computers
- Users
- Archived Data

Fig. 23





2400

11/24/2003  
1:43 P.M.

### DataVault Main Page Demo System

Internet Drilldown Data

Select from the following lists of either USERS or COMPUTERS to display the Internet data collected for TODAY.

#### Utilization

- Computers
- Users
- Applications
- Departments
- General Usage

NOTE: Blank pull down lists indicate no Internet usage.

Select from the list of Users.

2402

Total Active Internet Users Today = 14

#### Drilldown

- Computers
- Users
- Applications
- Security Events
- Policy Events
- Internet

Select from the list of Computers.

2404

Total Active Internet Computers Today = 14

#### Forensic Audit Data

- Computers
- Users
- Archived Data

Fig. 24

Internet Drilldown Data - Microsoft Internet Explorer

Address: https://66.112.115.97/cgi-bin/Internet/audit\_internet.pk

11/24/2003 1:43 P.M.

DataVault Main Page Demo System

Internet Drilldown Data

Internet Activity for Computername: sgtiabs\_11

Start	Stop	Total	User	Website Title
10:29:22	10:29:22	0:08 Min	r_logan	Lincoln Middle School -
10:29:27	10:29:57	0:17 Min	r_logan	Lincoln Middle School - LMC -
10:30:07	10:30:07	0:08 Min	r_logan	WebQuest About Volcanoes-by: Louise Jaszkoski -
10:30:13	10:42:19	0:42 Min	r_logan	Monitoring Active Volcanoes: Introduction -

Total Internet Time = 0:75 Minutes

2500

2508

2504

2502

**Utilization**

- Computers
- Users
- Applications
- Departments
- General Usage

**Drilldown**

- Computers
- Users
- Applications
- Security Events
- Policy Events
- Internet

**Forensic Audit Data**

- Computers
- Users
- Archived Data

Fig. 25

View Daily Summary Reports - Microsoft Internet Explorer  
 Address: https://65.112.115.97/cgi-bin/report/daily\_summary.plk  
 11/24/2003 1:44 P.M.  
 View Daily Summary Reports  
 DataVault Main Page Demo System

**Complete Daily Report** — 2602

The complete Daily Summary contains all the summary data, compiled from yesterdays activity. This includes:

- Productivity or all computers, users and applications.
- Security Events.
- Policy Events.
- Internet Activity including site listings and total time at each site.

The complete Daily Summary contains all the segments [Click here to view report](#)

**Custom Daily Report** — 2604

The custom Daily Summary allows you to define which segments of the report you wish to view. To setup the report, simply click on the checkbox of the segments you wish to include. Click on the View Report button to display the custom report.

- Productivity  • Computer & User Activity  • Application Activity
- Security Events  • Policy Events  • All Internet Activity
- Total Internet Time

[View Custom Daily Report](#) [Reset](#)

**Complete Daily Summary of Each Defined Department**

Select from **ONE** of the lists of departments below.

- Departments defined by Computers.
- Departments defined by Users.

Please Note: This request can take up to 5 minutes to complete.. Please be patient.

[View Department Report](#)

**Utilization**

- Computers
- Users
- Applications
- Departments
- General Usage

**Drilldown**

- Computers
- Users
- Applications
- Security Events
- Policy Events
- Internet

**Forensic Audit Data**

- Computers
- Users
- Archived Data

**Reports**

Fig. 26

2700

View Daily Summary Reports - Microsoft Internet Explorer

File Edit View Favorites Tools Help

Address: https://66.112.115.97/cgi-bin/report/daily\_summary.plx

History: X  
View: 3 ... 2 ... To...

Total Internet Time: 1

**Forensic Audit Data**

- Policy Events
- Internet

**Log Out**

© 2000 - 2003  
Seigneur Laboratories, Inc.

**Complete Daily Summary of Each Defined Department** 2702

Select from **ONE** of the lists of departments below.

- Departments defined by Computers.
- Departments defined by Users.

Please Note: This request can take up to 5 minutes to complete.. Please be patient.

**Custom Daily Summary of Each Defined Department** 2704

Select from **ONE** of the lists of departments below.

- Departments defined by Computers.
- Departments defined by Users.

The custom Department Summary allows you to define which segments of the report you wish to view. To setup the report, simply click on the checkbox of the segments you wish to include. Click on the View Report button to display the custom report.

- Productivity
- Security Events
- Total Internet Time
- Computer or User Activity
- All Internet Activity
- Application Activity

Please Note: This request can take up to 5 minutes to complete.. Please be patient.

2710

2708

2714

2712

2718

2720

2722

View Daily Summary Reports - Microsoft Internet Explorer

Start

1:44 PM

Fig. 27

2800

5thColumn DataVault: Daily Report for 11-23-2003 - Microsoft Internet Explorer

File Edit View Favorites Tools Help End  
Address https://66.112.115.97/report/report.html

History: X  
View: [1] [2] [3] To...

5thColumn DataVault: Daily Report  
11-23-2003

**SUMMARY**  
**SECURITY EVENTS**      **COMPUTERS USERS**      **POLICY EVENTS**      **APPLICATIONS**  
**INTERNET EVENTS**      **MAIN PAGE**

**Overall Enterprise Activity**

Total Active Computers:	0	Total Agent Computers:	31	Pct. Used:	0.000%
Total Active Users:	0	Total Agent Users:	31	Pct. Used:	0.000%
Total Active Apps:	0	Total Agent Apps:	134	Pct. Used:	0.000%
Usage Hrs:	0.00	Pct. Used(24 Hr):	0.000%	Pct. Used(8 Hr):	0.000%

**Computer and User Activity**

Computers.Nams	Hrs.	Users	Computers	User.Nams	Hrs.	Computers	Users
----------------	------	-------	-----------	-----------	------	-----------	-------

**Application Activity (Real denotes new application)**

EXE.Nams	Hrs.	Computers	EXE.Nams	Hrs.	Computers
----------	------	-----------	----------	------	-----------

**Security Events**

**Policy Events**

**Complete-Internet Data**

(c)Copyright 2001-2002 Sergeant Laboratories, Inc.

Start    [Icons]    1:45 PM

2802

2830

2804

2808

2812

2814

2818

Fig. 28

2900

Computer Drilldown Data - Microsoft Internet Explorer

File Edit View Favorites Tools Help Send

Back Forward Stop Refresh Home Search Favorites History Mail Print Edit Discuss Messenger

Address [http://66.112.115.97/cgi-bin/computers/security\\_computers.pk](http://66.112.115.97/cgi-bin/computers/security_computers.pk)

2902 2904 2908 2912 11/24/2003 1:36 P.M.

### DataVault Main Page Detiro System

Computer Drilldown Data

Displaying results for **sgtstabs\_04** on **Fri 11-21-2003**

Utilization	Username	Time	Active Minutes	Application
<ul style="list-style-type: none"> <li>Computers</li> <li>Users</li> <li>Applications</li> <li>Departments</li> <li>General Usage</li> </ul>	m_klien	08:00-08:14:59 am	00:25 Min.	Microsoft Word
	m_klien	08:15-08:29:59 am	00:50 Min.	Microsoft Word
	m_klien	08:15-08:29:59 am	00:08 Min.	agentsvr.exe
	m_klien	08:15-08:29:59 am	01:67 Min.	grpwise.exe
	m_klien	08:15-08:29:59 am	00:08 Min.	Microsoft Windows Explorer
	m_klien	08:15-08:29:59 am	00:42 Min.	sol.exe
	m_klien	08:45-08:59:59 am	04:50 Min.	grpwise.exe
	m_klien	08:45-08:59:59 am	00:17 Min.	Microsoft Windows Explorer
	m_klien	08:45-08:59:59 am	01:83 Min.	sol.exe
	m_klien	11:00-11:14:59 am	00:33 Min.	grpwise.exe
	m_klien	11:00-11:14:59 am	00:08 Min.	Microsoft Windows Explorer
	m_klien	11:00-11:14:59 am	01:08 Min.	sol.exe
	m_klien	11:15-11:29:59 am	13:75 Min.	sol.exe
	m_klien	11:15-11:29:59 am	00:08 Min.	grpwise.exe
	m_klien	11:15-11:29:59 am	00:08 Min.	Microsoft Windows Explorer
<ul style="list-style-type: none"> <li>Forensic Audit Data</li> <li>Computers</li> <li>Users</li> <li>Archived Data</li> </ul>	m_klien	11:30-11:44:59 am	12:50 Min.	sol.exe
	m_klien	11:30-11:44:59 am	00:08 Min.	grpwise.exe
	m_klien	12:00-12:14:59 pm	00:08 Min.	Microsoft Windows Explorer
	m_klien	12:00-12:14:59 pm	06:00 Min.	sol.exe
	m_klien	12:00-12:14:59 pm	00:08 Min.	grpwise.exe
m_klien	12:15-12:29:59 pm	14:25 Min.	sol.exe	
m_klien	12:30-12:44:59 pm	03:02 Min.	sol.exe	

2914

2918

Done Start

Internet

Fig. 29

Application Utilization Data - Microsoft Internet Explorer

File Edit View Favorites Tools Help Send

Back Refresh Home Search Favorites History Mail Print Edit Discuss Messenger

Address: https://66.112.115.97/cgi-bin/applications/app\_dd.pk

11/24/2003 1:37 P.M.

### DataVault Main Page Demo System

Application Utilization Data

Select from the list of Applications to view 14 days worth of usage.

Sort A-Z

Utilization

- Computers
- Users
- Applications
- Departments
- General Usage

Drilldown

- Computers
- Users
- Applications
- Security Events
- Policy Events
- Internet

Forensic Audit Data

- Computers
- Users
- Archived Data

Current Usage Statistics

Applications	Usage	Time
Microsoft Word	11	22.74
Microsoft Internet Explorer	13	6.23
grpwise.exe	5	19.68
pcat32.exe	9	5.80
pcswws.exe	3	12.70
pinball.exe	1	16.67
Microsoft PowerPoint	153	1.77
Microsoft Windows Explorer	16	248.78
ntvdm.exe	20	190.71
mspub.exe	7	139.18
pcswws.exe	38	101.30
pinball.exe	23	60.25
artgalry.exe	76	60.28
Microsoft Excel Spreadsheet	20	56.24
pcat32.exe	18	46.30
wimline.exe	19	2.42
practice musica.exe	92	31.33
agentsvr.exe	2	21.98
msworks.exe	1	21.37
clcc321.exe	15	18.20
mspaint.exe	5	16.41
wordpad.exe	23	16.15
vmplayer.exe	11	11.15
freecell.exe	8	9.47
msimm.exe	3	8.81
clworks.exe	12	7.58
snafec32.exe	19	7.28
rundll32.exe	2	7.23
signlab5.exe	1	5.03
sibelius.exe	6	4.48
aditrbok.exe		0.75

2914

3004

Fig. 30

3100

Application Utilization Data - Microsoft Internet Explorer  
 Address: https://66.112.115.97/cgi-bin/applications/app\_dtd.pk  
 Application Utilization Data  
 11/24/2003 1:38 P.M.

Select from the list of Applications to view 14 days worth of usage. [MS NT Command Program] [Drill Down]

**DataVault Main Page Demo System**

**Utilization**

- Computers
- Users
- Applications
- Departments
- General Usage

**Drilldown**

- Computers
- Users
- Applications
- Security Events
- Policy Events
- Internet

**Forensic Audit Data**

- Computers
- Users
- Archived Data

**Reports**

**Drill Down Results for MS NT Command Program**  
 The only computer->user was HERMAN->herman

Time	Nov-11	Nov-12	Nov-13	Nov-14	Nov-15	Nov-16	Nov-17	Nov-18	Nov-19	Nov-20	Nov-21	Nov-22	Nov-23	Nov-24
11PM			3104											3102
10PM														
9PM														
8PM														
7PM														
6PM														
5PM														
4PM														
3PM														
2PM														
1PM														
12PM														
11AM														
10AM														
9AM														
8AM														
7AM														
6AM														
5AM														
4AM														
3AM														
2AM														
1AM														
12AM													3108	

Tue Wed Thu Fri Sat Sun Mon  
 Nov Nov Nov Nov Nov Nov Nov  
 11 12 13 14 15 16 17 18 19 20 21 22 23 24

Fig. 31



3200

Dept. Utilization Data - Microsoft Internet Explorer

Address: https://66.112.115.97/cgi-bin/department/dept\_dd.npk

11/24/2003 1:39 P.M.

### DataVault Main Page Demo System

Dept. Utilization Data

Select from the list of computers to view 14 days worth of usage.

Current Usage Statistics of ALL 9 Active Departments.

Department Name	Dept. Computers Qty.	Time	Avg.	Dept. Users Qty.	Time	Avg.
Administration	6	632.42	138.74	0	0	0.00
Department_01	0	0	0.00	8	994.37	124.30
Department_03	0	0	0.00	23	2700.89	117.42
Department_08	24	2844.39	118.52	0	0	0.00
MPCDept	0	0	0.00	0	0	0.00
Resource_Center	0	0	0.00	0	0	0.00
Student	1	18.15	18.15	0	0	0.00
StudentComputers	0	0	0.00	0	0	0.00
Test_Dept_02	0	0	0.00	0	0	0.00

3202 3204 3208 3212 3214 3218

**Utilization**

- Computers
- Users
- Applications
- Departments
- General Usage

**Drilldown**

- Computers
- Users
- Applications
- Security Events
- Policy Events
- Internet

**Forensic Audit Data**

- Computers
- Users
- Archived Data

3220

3222

Fig. 32

3300

General Utilization Data - Microsoft Internet Explorer

Address: [https://66.112.115.97/cgi-bin/general/gen\\_stats.plk](https://66.112.115.97/cgi-bin/general/gen_stats.plk)

11/24/2003 1:39 P.M.

**DataVault Main Page Demo System**      **General Utilization Data**

**Utilization**

- Computers
- Users
- Applications
- Departments
- General Usage

**Drilldown**

- Computers
- Users
- Applications
- Security Events
- Policy Events
- Internet

**Forensic Audit Data**

- Computers
- Users
- Archived Data

**Reports**

**Daily Computer/User Usage** 3302

**Productivity of all Computers** 3304

3220

3308

Fig. 33

3400

Policy Event Data - Microsoft Internet Explorer  
 http://66.112.115.97/cgi-bin/policy/security\_policy.pk  
 11/24/2003 1:40 P.M.  
 Policy Event Data

**DataVault Main Page Demo System**

Listing of Today's Policy Events  
 (Gray = New Event)

3402

3408

3404

3412

2914

3414

**Utilization**

- Computers
- Users
- Applications
- Departments
- General Usage

**Drilldown**

- Computers
- Users
- Applications
- Security Events
- Policy Events
- Internet

**Forensic Audit Data**

- Computers
- Users
- Archived Data

**Reports**

Mon Nov 24 at 11:01:03 User: J\_Kennedy Computer: egltaba\_28  
 • Use of an Inappropriate Program - sol.exe'

Mon Nov 24 at 11:03:03 User: J\_Kennedy Computer: egltaba\_28  
 • Use of an Inappropriate Program - sol.exe'

Mon Nov 24 at 11:02:03 User: J\_Kennedy Computer: egltaba\_28  
 • Use of an Inappropriate Program - sol.exe'

Mon Nov 24 at 11:01:04 User: J\_Kennedy Computer: egltaba\_28  
 • Use of an Inappropriate Program - sol.exe'

Mon Nov 24 at 10:59:01 User: J\_Kennedy Computer: egltaba\_28  
 • Use of an Inappropriate Program - sol.exe'

Mon Nov 24 at 10:57:04 User: J\_Kennedy Computer: egltaba\_28  
 • Use of an Inappropriate Program - sol.exe'

Mon Nov 24 at 10:55:10 User: J\_Kennedy Computer: egltaba\_28  
 • Use of an Inappropriate Program - sol.exe'

Mon Nov 24 at 10:51:00 User: L\_charlie Computer: egltaba\_10  
 • Use of an Inappropriate Program - sol.exe'

Mon Nov 24 at 10:50:04 User: L\_charlie Computer: egltaba\_10  
 • Use of an Inappropriate Program - sol.exe'

Mon Nov 24 at 10:49:01 User: L\_charlie Computer: egltaba\_10  
 • Use of an Inappropriate Program - sol.exe'

Fig. 34

3518  
3500

General Utilization Data - Microsoft Internet Explorer

Address: http://66.112.115.97/cgi-bin/general/gen\_stats.pk

History X  
View

Users  
Applications  
Security Events  
Policy Events  
Internet

Forensic Audit Data  
Computers  
Users  
Archived Data

Reports  
Daily Summary  
Archived Summary  
System Reports

Log Out

© 2000 - 2003  
Seigeant Laboratories, Inc.

Current Number of Users = 13 @ 12:24  
Current Number of Computers = 13 @ 12:24

Productivity of all Computers

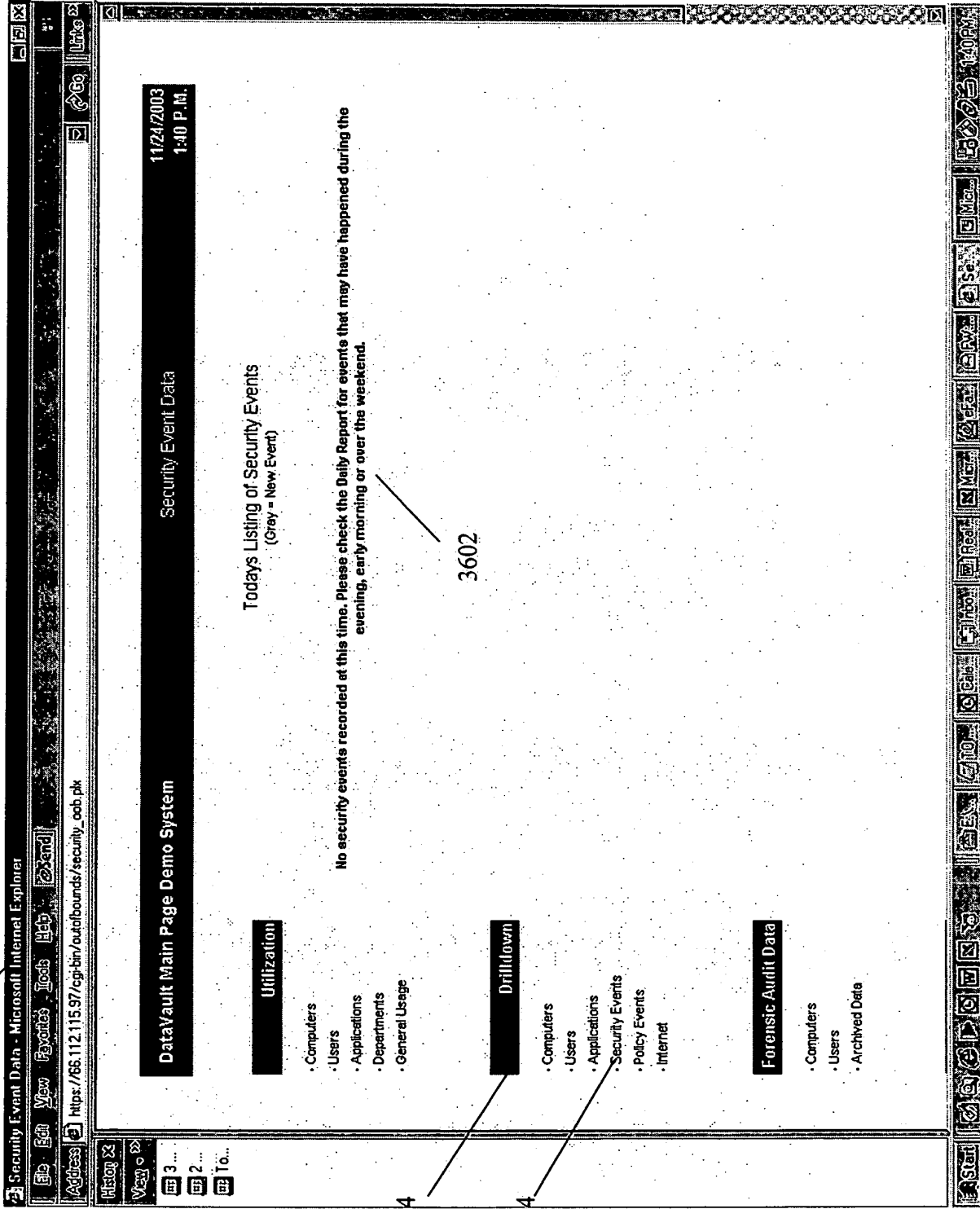
Current System Usage % = 06% @ 12:24

Top Ten Applications Used

Application	Days	Hours	# Users	# Computers
1. Microsoft Word	08	73.84	31	31
2. gpupdate.exe	08	34.70	18	18
3. sol.exe	08	18.05	15	15
4. Microsoft Internet Explorer	08	16.37	29	29
5. nspub.exe	07	10.8	16	16
6. ntvdh.exe	08	10.43	13	13
7. Microsoft PowerPoint	08	10.04	13	13
8. ntg.exe	08	09.28	07	07
9. Microsoft Windows Explorer	09	08.01	31	31
10. pcsus.exe	08	05.54	04	04

Fig. 35

3600



2914

3604

3602

Fig. 36

3700

User: Drilldown Data - Microsoft Internet Explorer  
Address: https://66.112.115.97/cgi-bin/users/security\_users.plx  
11/24/2003 1:41 P.M.  
DataVault Main Page Demo System  
User Drilldown Data

To view the daily activity of a specific user, select a user and a specific date.

Select a User name:  3702  
Select a Date:  3704

To find all the users active on a specific date, select from the following lists of dates.

Select a Date:  3708

**Utilization**

- Computers
- Users
- Applications
- Departments
- General Usage

**Drilldown**

- Computers
- Users
- Applications
- Security Events
- Policy Events
- Internet

**Forensic Audit Data**

- Computers
- Users
- Archived Data

2914

3710

Fig. 37

3800

Computer Drilldown Data - Microsoft Internet Explorer

Address: https://66.112.115.97/cgi-bin/computers/security\_computers.pk

11/24/2003 1:42 P.M.

Computer Drilldown Data

**DataVault Main Page Demo System**

**Utilization**

To view the daily activity of a specific computer, select a computer and a specific date.

Select a Computer name:

Select a Date:

**Drilldown**

To find all the computers active on a specific date, select from the following lists of dates.

Select a Date:

To find all computers active at a specific hour, on the specific date above, Select from the list.  
( Hour range is 0 - 23, 0 = 12am, 23 = 11pm, Blank = all day )

Select an Hour:

**Forensic Audit Data**

- Computers
- Users
- Archived Data

**Utilization**

- Computers
- Users
- Applications
- Departments
- General Usage

**Drilldown**

- Computers
- Users
- Applications
- Security Events
- Policy Events
- Internet

**Forensic Audit Data**

- Computers
- Users
- Archived Data

2914

3810

Fig. 38

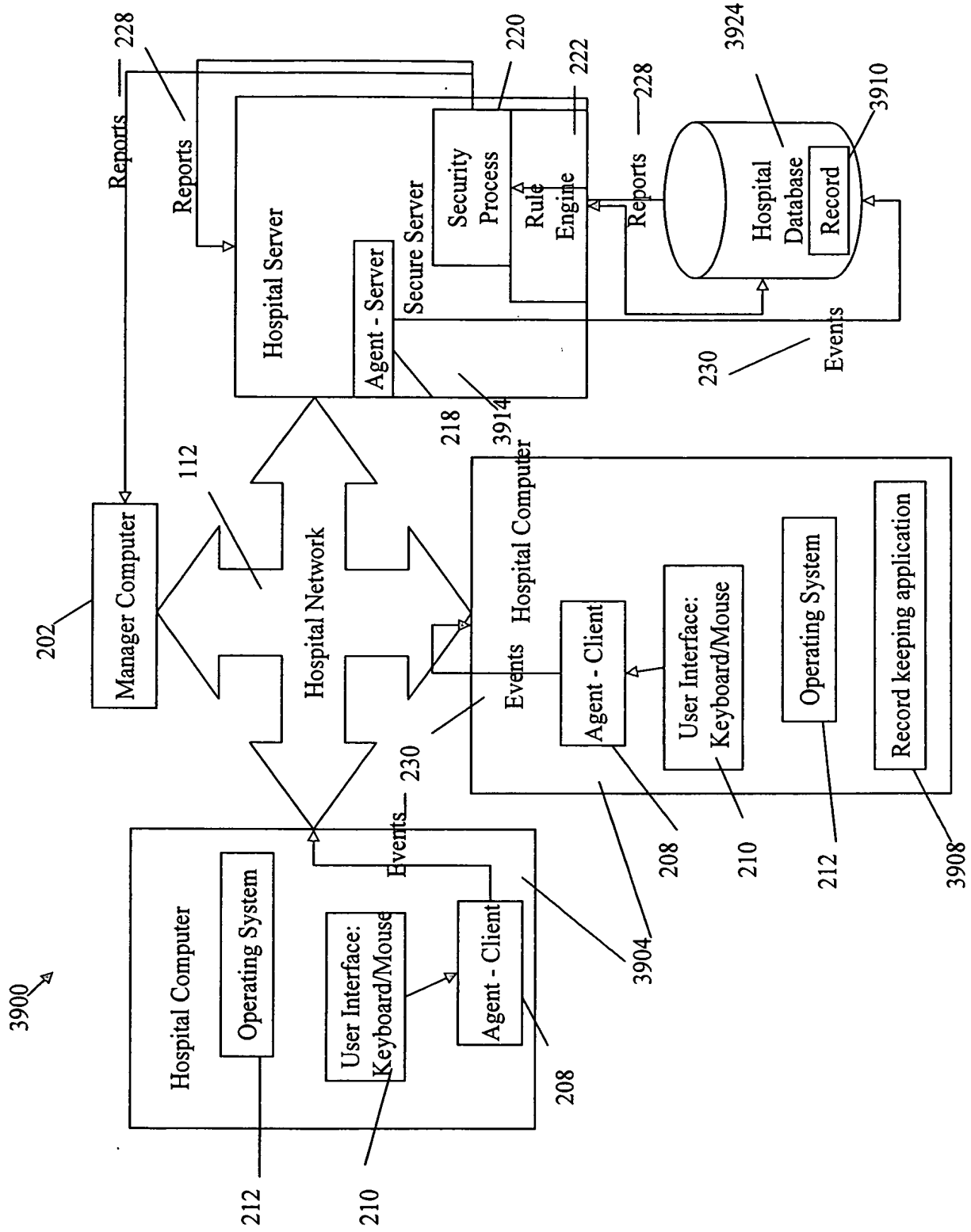


Fig. 39



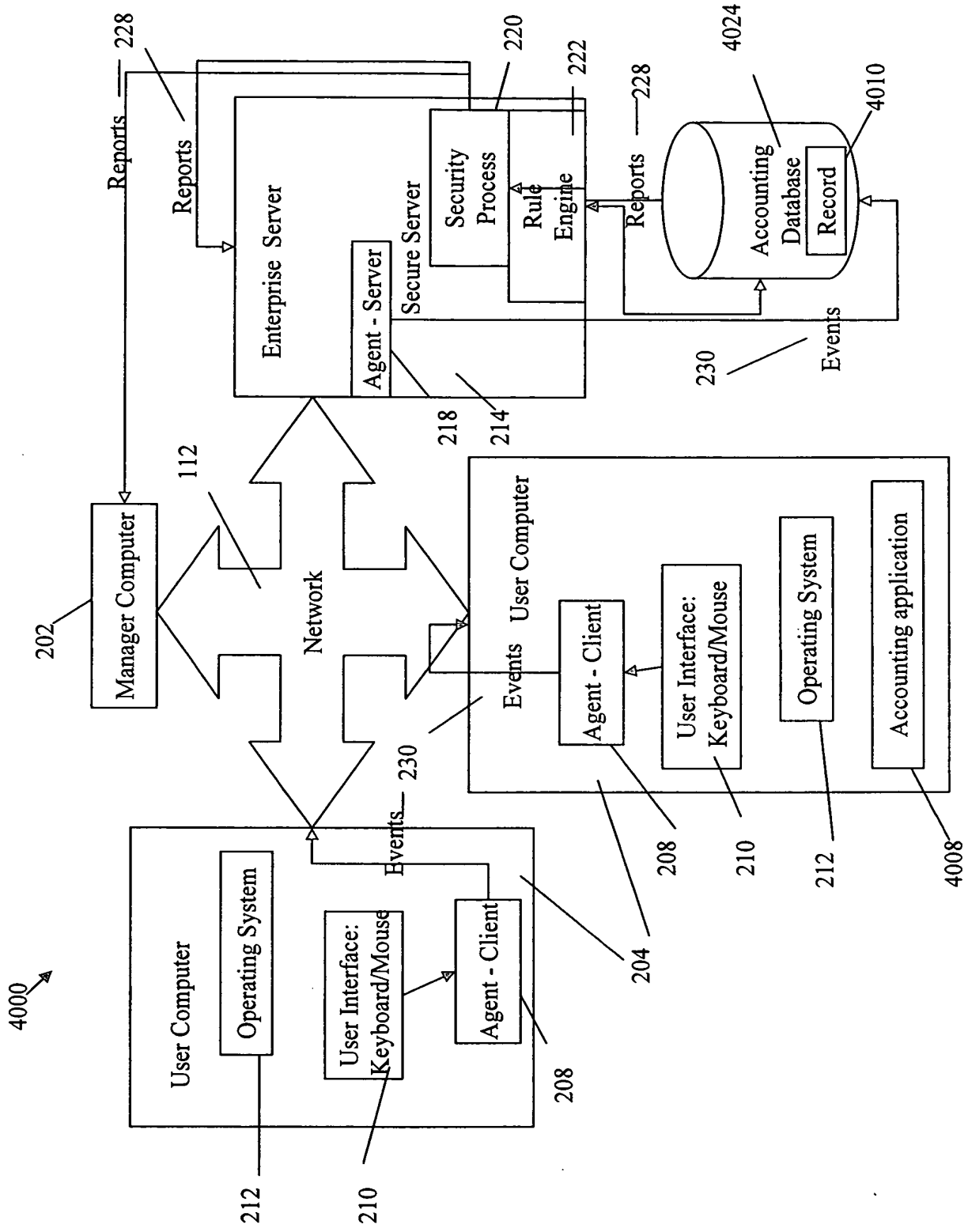


Fig. 40

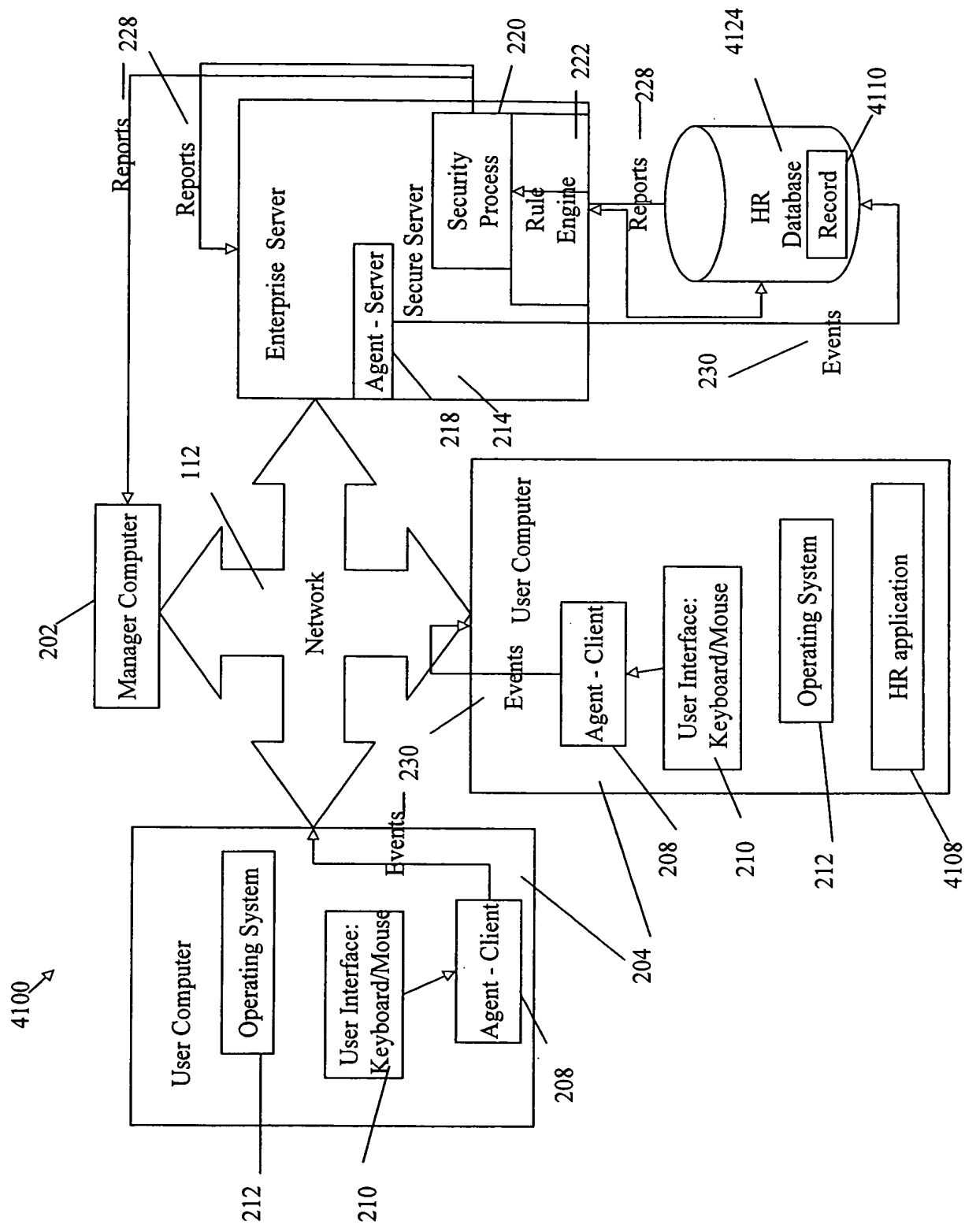


Fig. 41

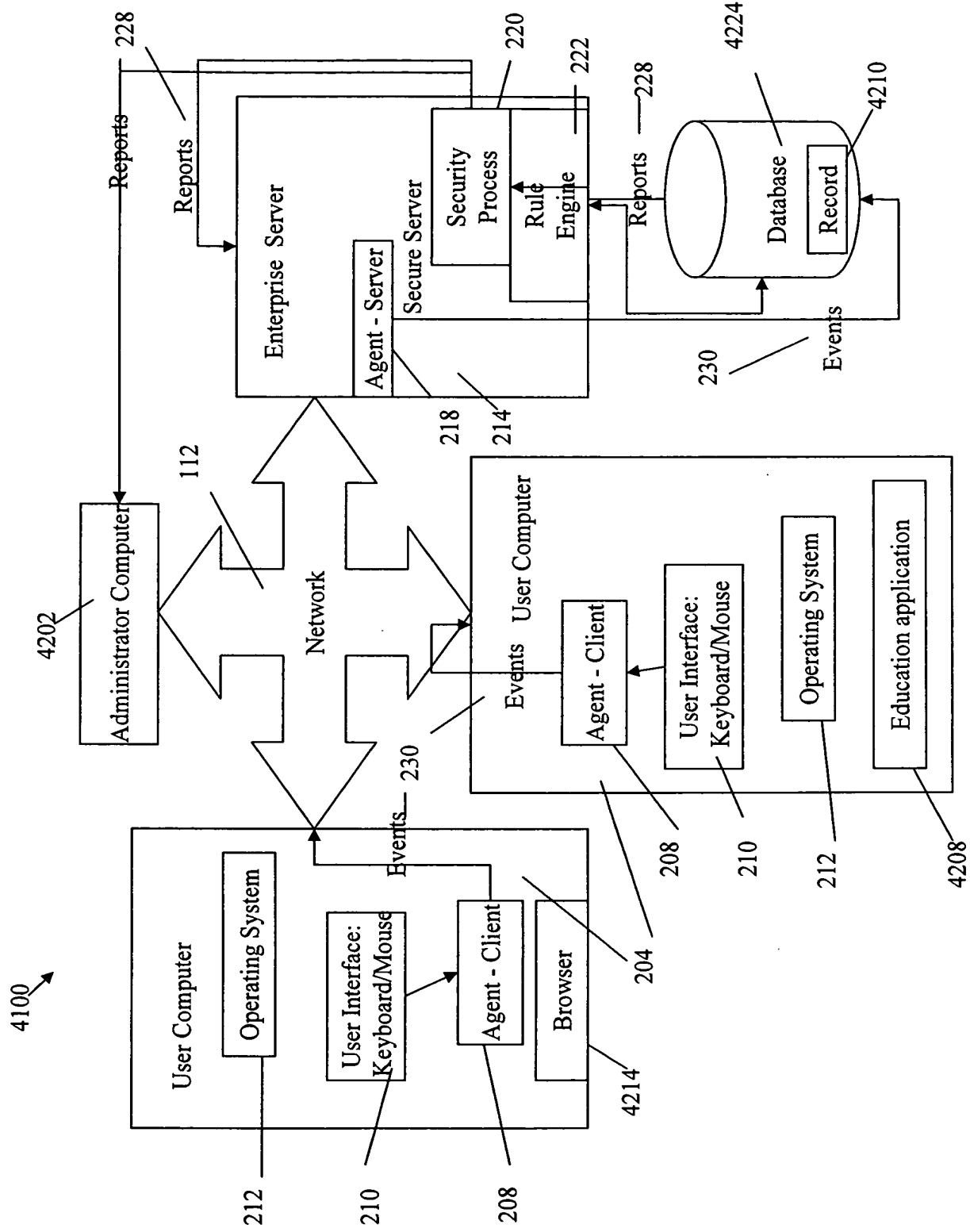


Fig. 42

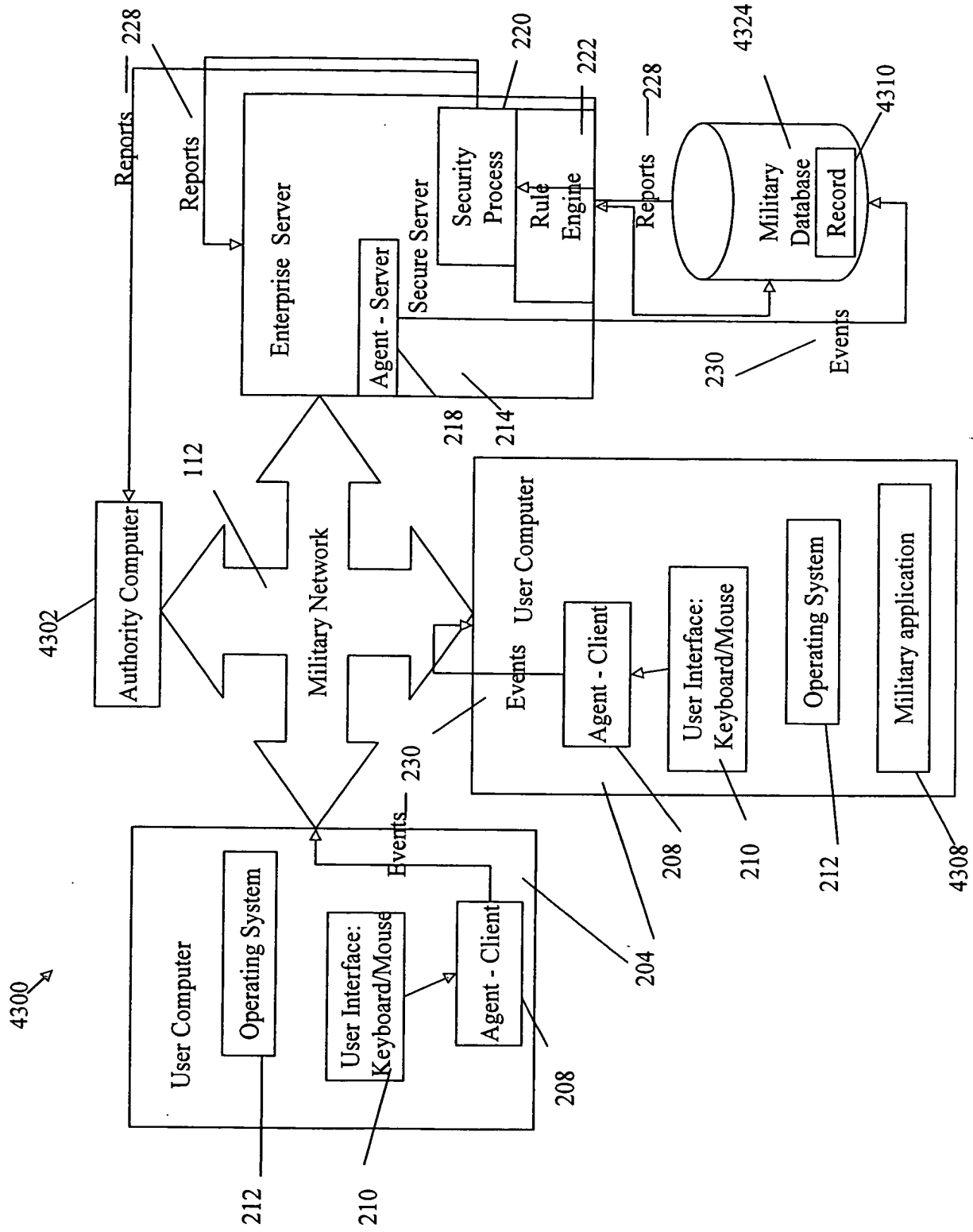


Fig. 43

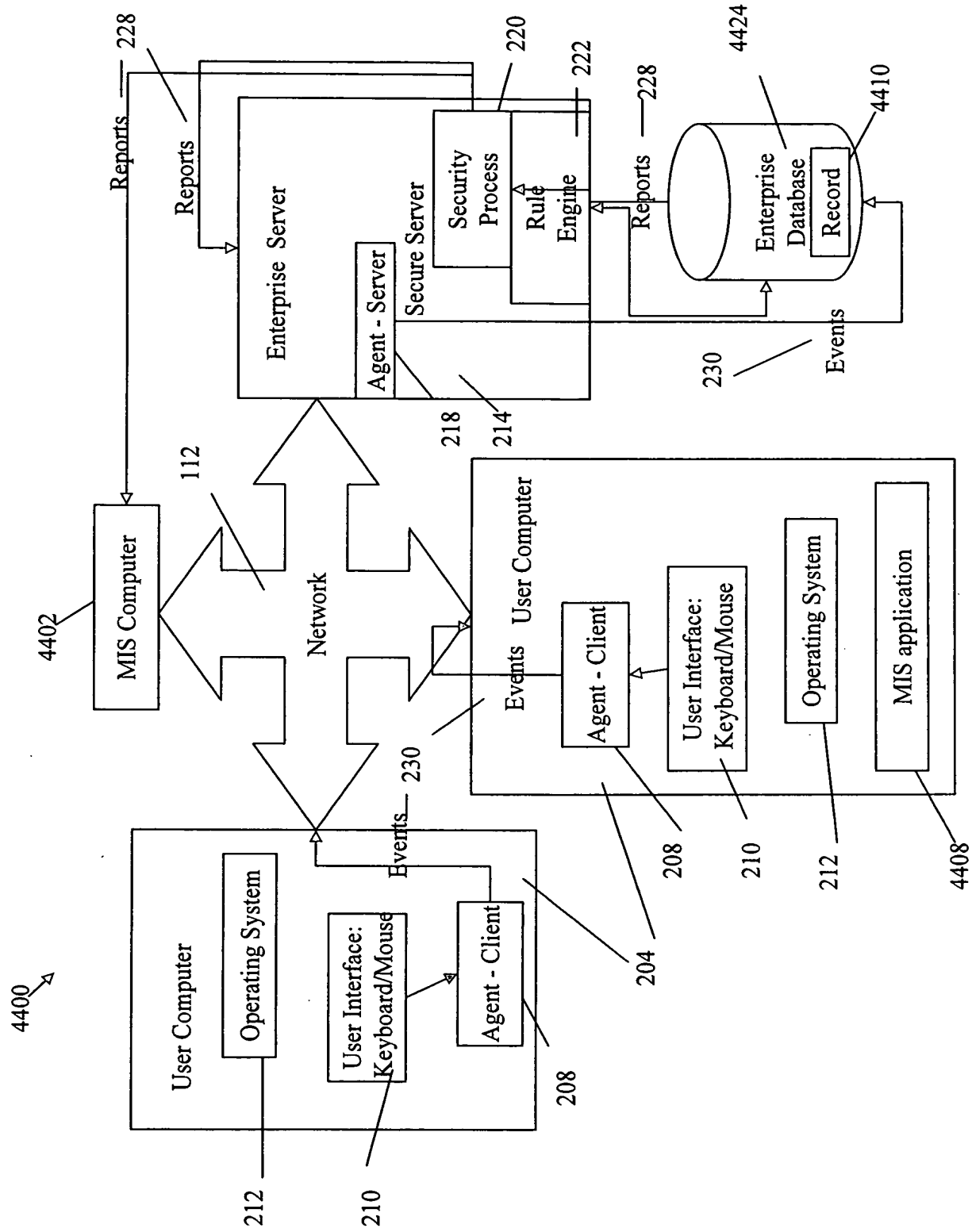


Fig. 44

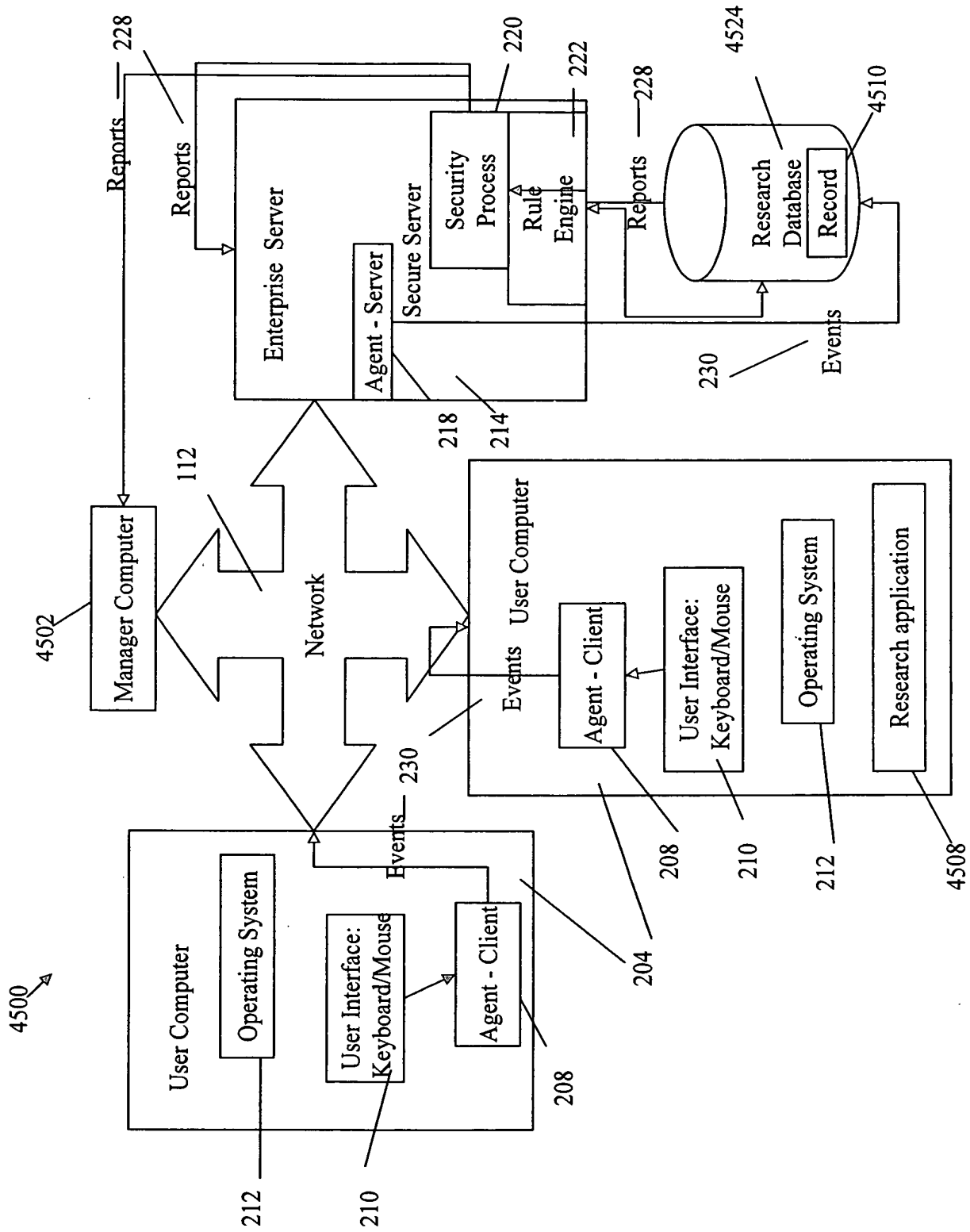


Fig. 45

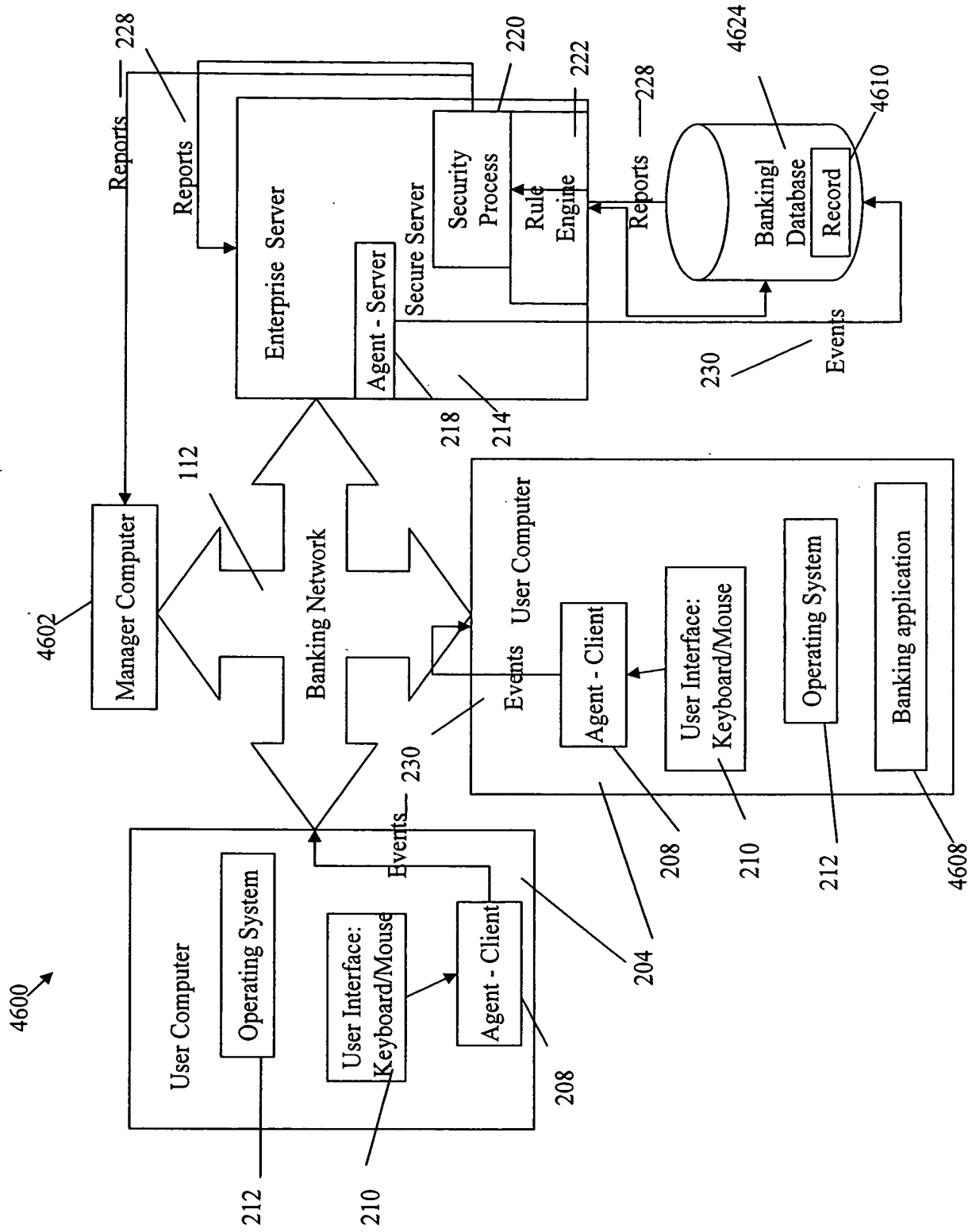


Fig. 46

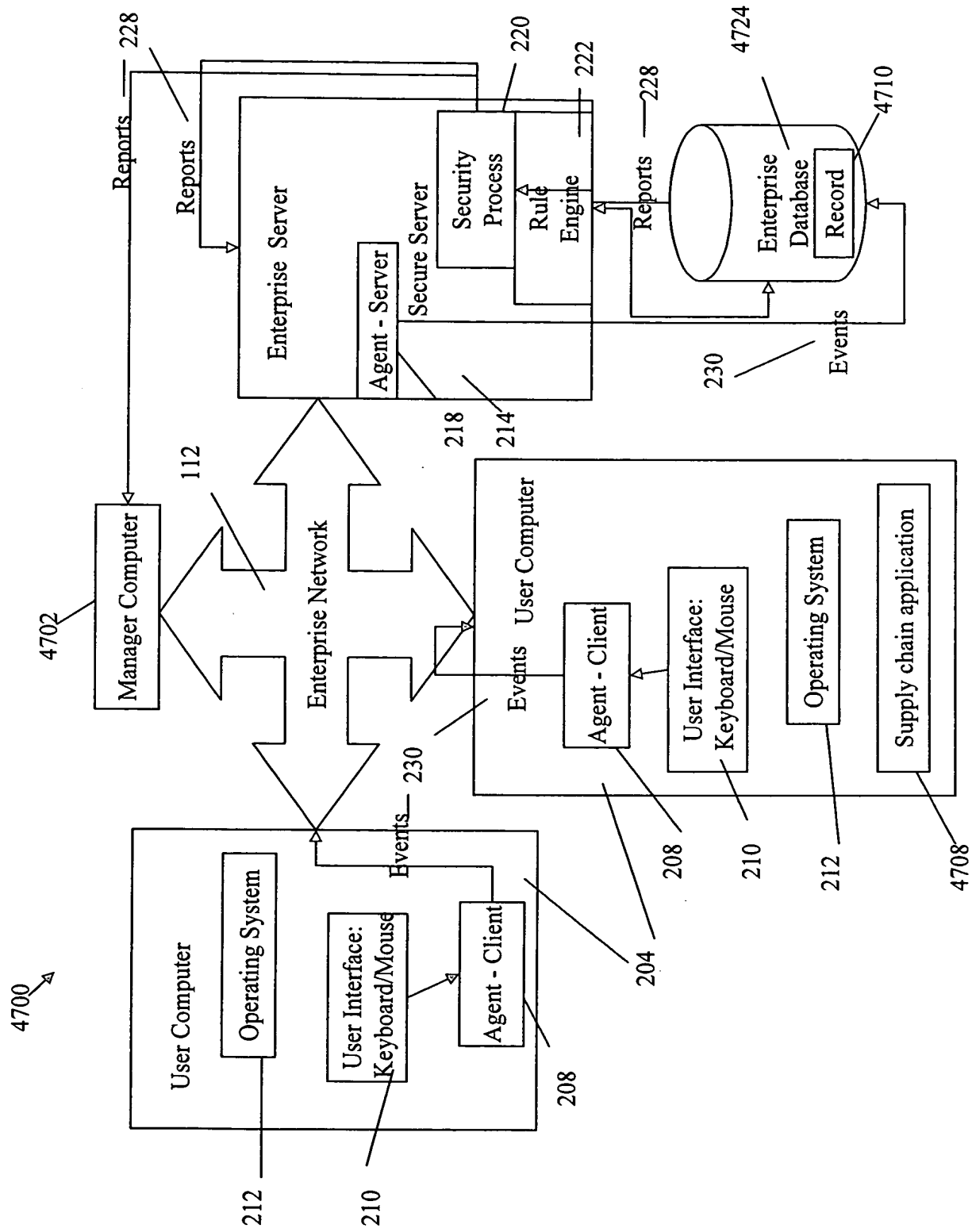


Fig. 47



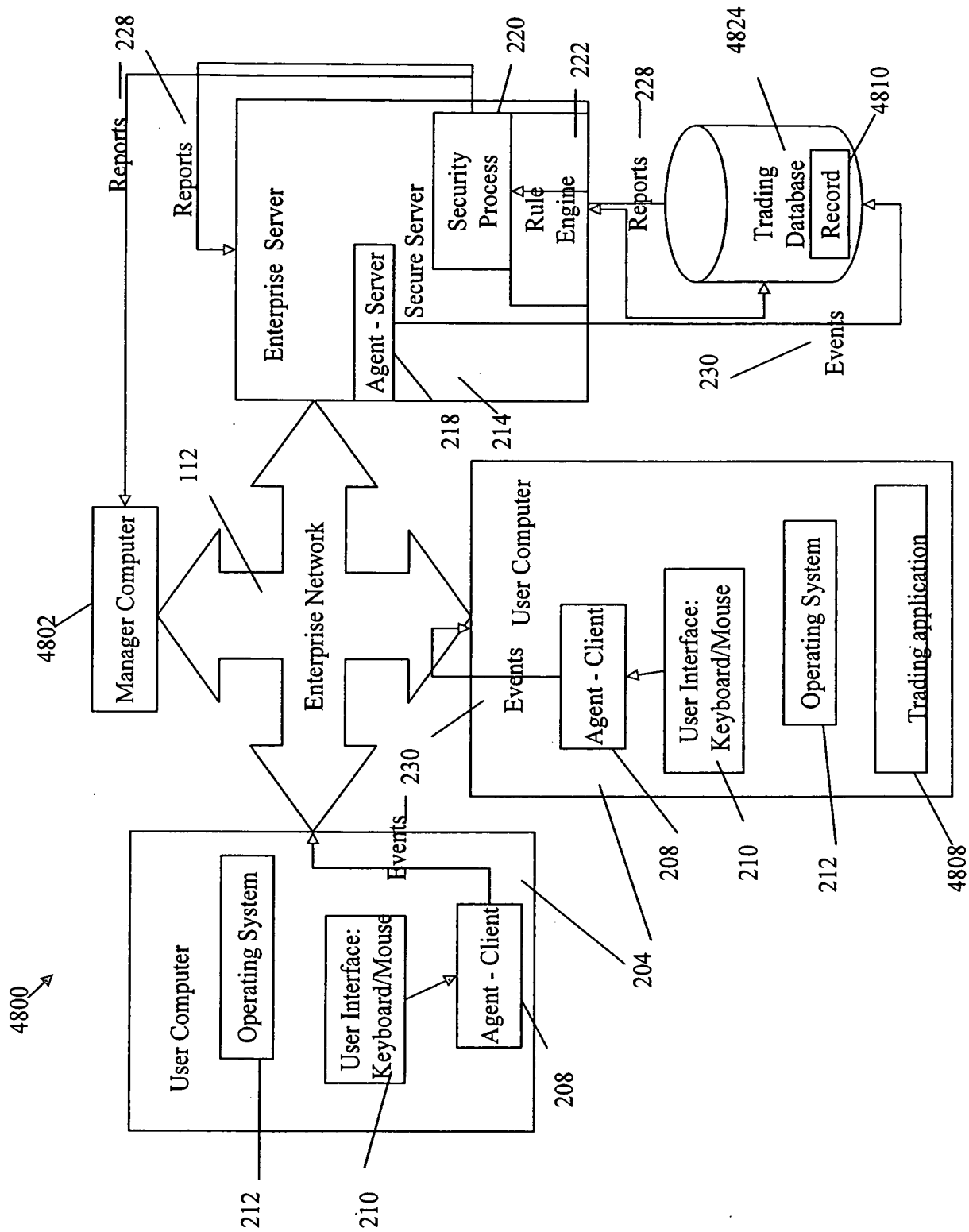


Fig. 48